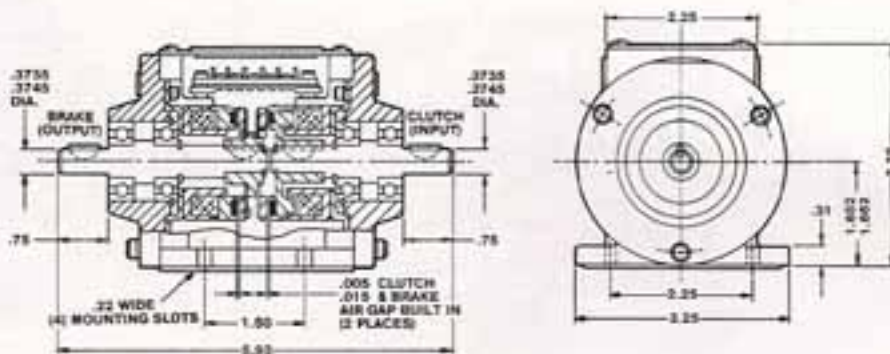
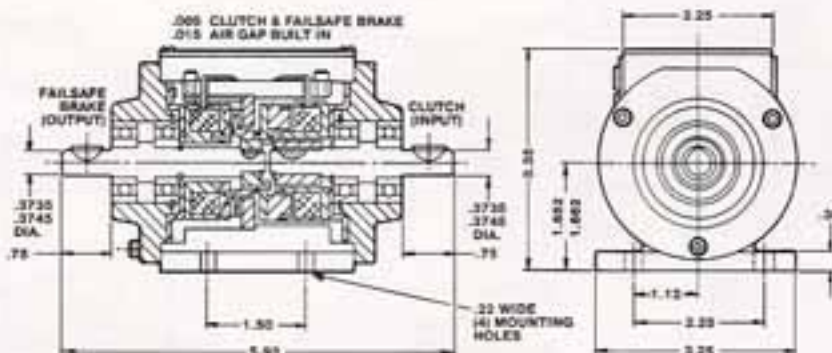


CB/CFSB SERIES

CB-170



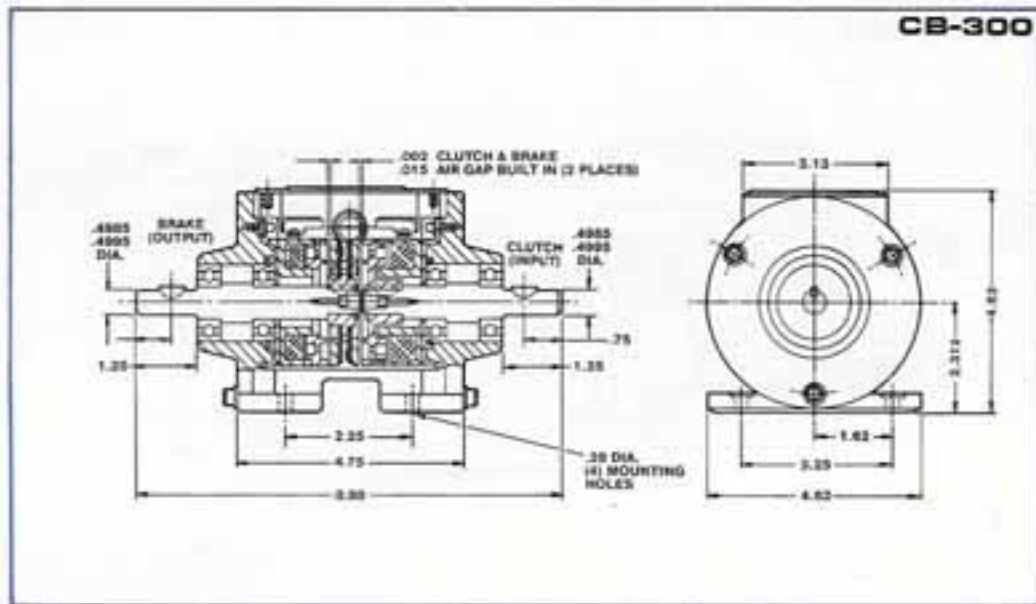
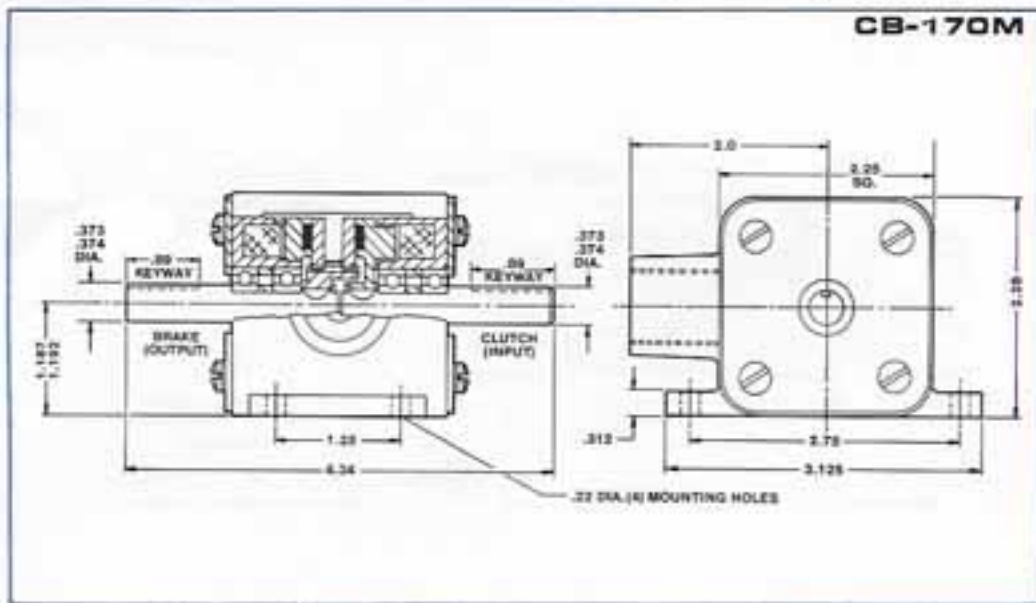
CFSB-170



TECHNICAL DATA

MODEL NO.	MECHANICAL		WEIGHT (LBS.)	MAXIMUM RATED SPEED (RPM)	ELECTRICAL			
	RATED STATIC TORQUE (IN.-LBS.)				COIL NO.	RATED VOLTAGE (VDC)	CURRENT (AMPS)	
CB-170	15	15	3.5	5000	1	90	.08	
					2	28	.29	
	3	12			.75			
	4	6			1.25			
CFSB-170	15	10	3.5	5000	1	90	.08	.12
					2	28	.25	.4
	3	12			.60	1.0		
	4	6			1.20	2.3		

CB/CFSB SERIES



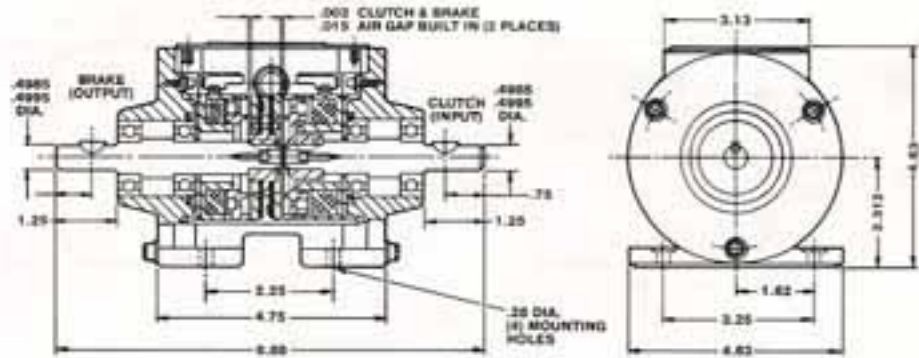
TECHNICAL DATA

MODEL NO.	MECHANICAL		WEIGHT (LBS.)	MAXIMUM RATED SPEED (RPM)	ELECTRICAL		
	RATED STATIC TORQUE (IN.-LBS.)				COIL NO.	RATED VOLTAGE (VDC)	CURRENT AMPS
CB-170M	CLUTCH	BRAKE	1.75	5000	1	90	.08
	12	12			2	28	.29
					3	12	.75
					4	6	1.25
CB-300	CLUTCH	BRAKE	8.0	3000	1	90	.12
	85	85			2	28	.34
					3	12	.90
					4	6	1.9

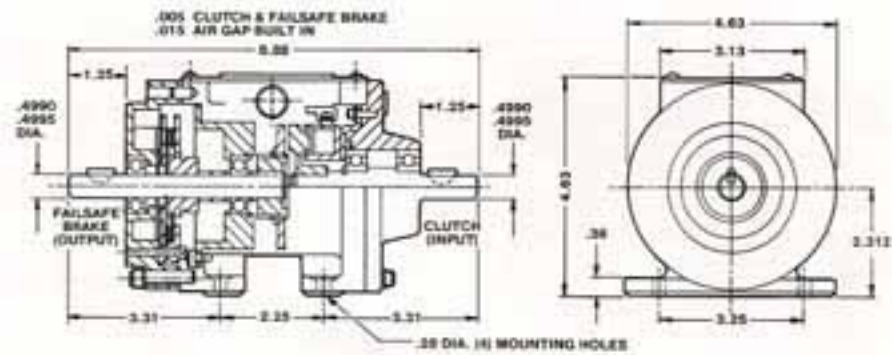
CB/CFSB SERIES



CB-260



CFSB-260

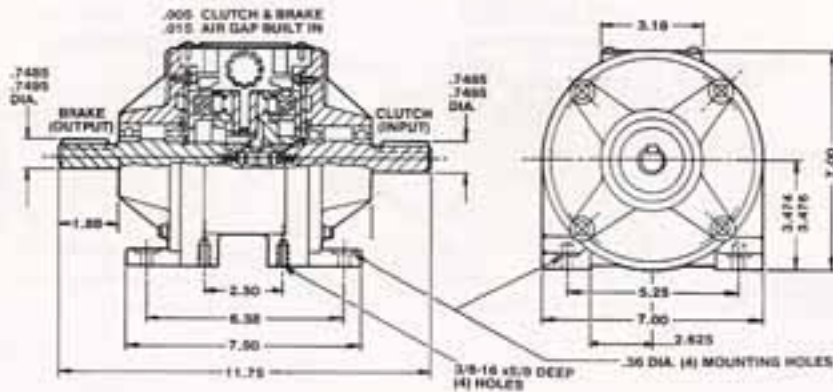


TECHNICAL DATA

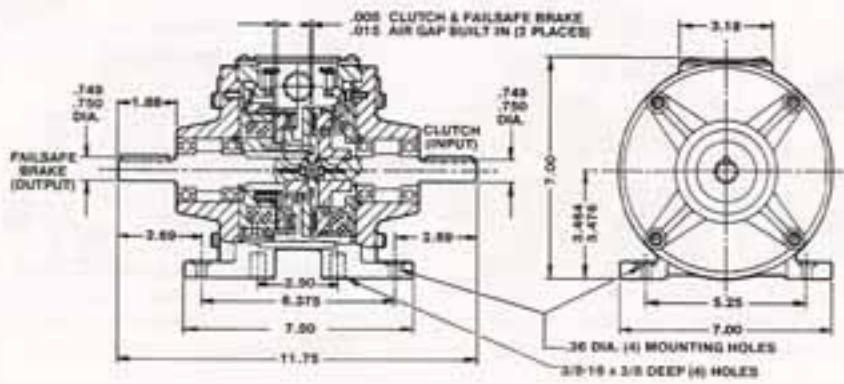
MODEL NO.	MECHANICAL			MAXIMUM RATED SPEED (RPM)	ELECTRICAL			
	RATED STATIC TORQUE (IN.-LBS.)		WEIGHT (LBS.)		COIL NO.	RATED VOLTAGE (VDC)	BRAKE	CLUTCH
	CLUTCH	BRAKE					CURRENT (AMPS)	
CB-260	75	75	7.5	3000	1	90	.09	.12
					2	28	.30	.39
					3	12	.63	.89
					4	6	1.65	1.95
CFSB-260	75	60	8.5	3000	1	90	.09	.12
					2	28	.30	.39
					3	12	.63	.89
					4	6	1.63	1.95

CB/CFSB SERIES

CB-420



CFSB-420

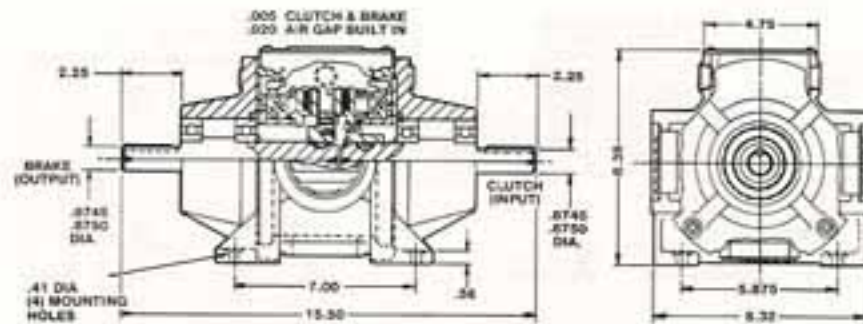


TECHNICAL DATA

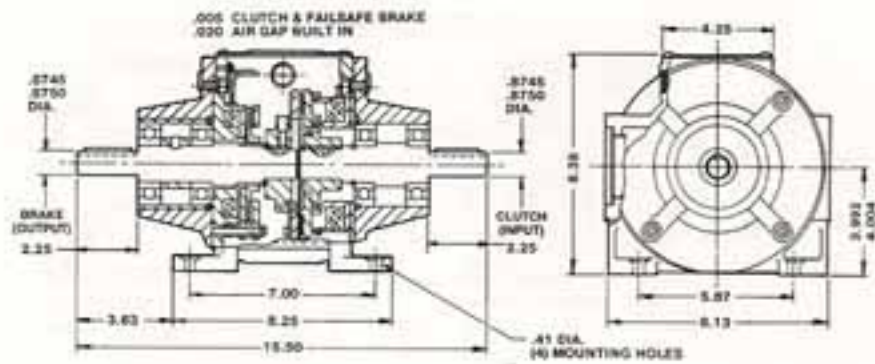
MODEL NO.	MECHANICAL		WEIGHT (LBS.)	MAXIMUM RATED SPEED (RPM)	ELECTRICAL			
	CLUTCH	BRAKE			COIL NO.	RATED VOLTAGE (VDC)	CURRENT (AMPS)	
CB-420	240	240	16	3600	1	90	.12	
					2	28	.46	
					3	12	.92	
					4	6	1.82	
CFSB-420	240	100	16	3600			CLUTCH FSB	
					1	90	.12	.13
					2	28	.46	.55
					3	12	.92	1.12
4	6	1.82	2.22					

CB/CFSB SERIES

CB-560



CFSB-560



TECHNICAL DATA

MODEL NO.	MECHANICAL		WEIGHT (LBS.)	MAXIMUM RATED SPEED (RPM)	ELECTRICAL			
	RATED STATIC TORQUE (IN.-LBS.)				COIL NO.	RATED VOLTAGE (VDC)	CURRENT AMPS	
CB-560	600	600	32	3600	1	90	.36	
					2	28	1.18	
					3	12	2.72	
					4	6	6.0	
CFSB-560	600	200	32	3600	1	90	.37	.19
					2	28	1.18	.68
					3	12	2.73	1.40
					4	6	6.00	2.21