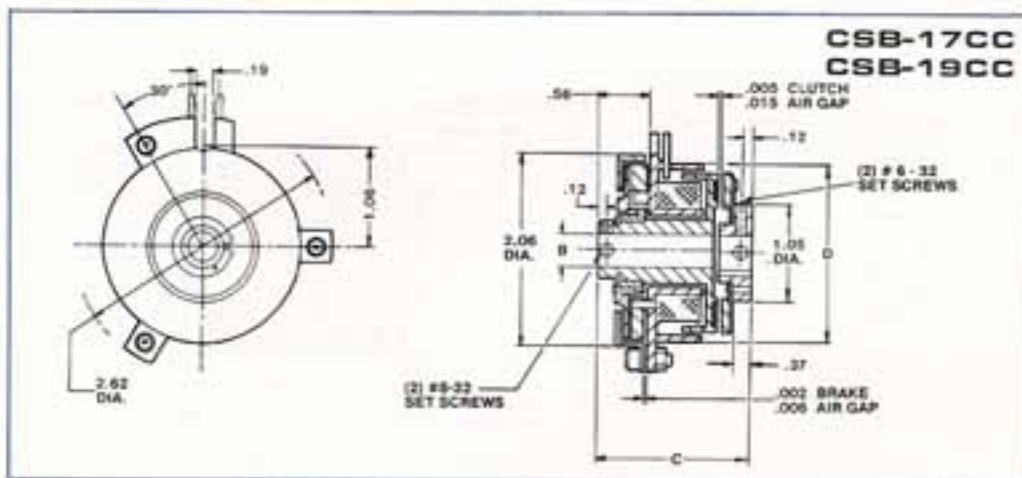
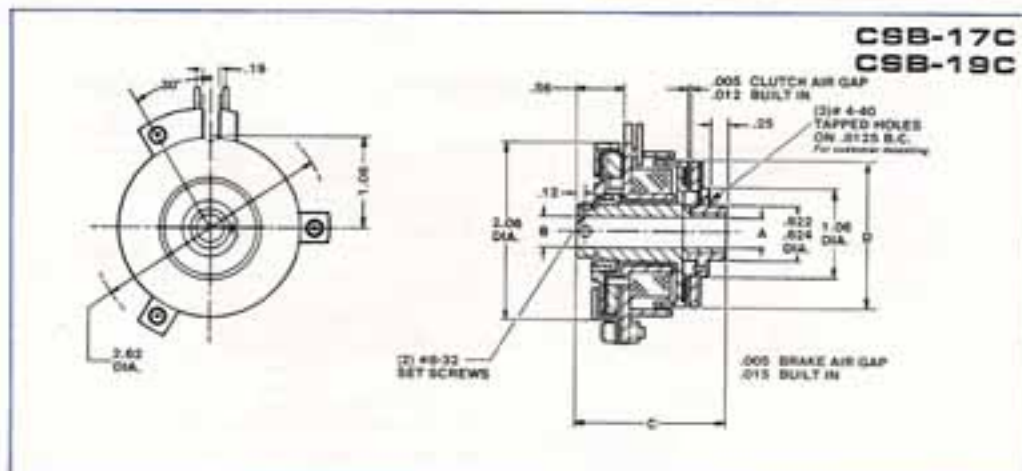


CSB SERIES



U.S. Patent #3,893,191

MODEL NO.	A	B	C	D
CSB-17-C-4	.250	.250	1.72	1.80
CSB-17-CC-4	.251	.251	1.72	1.80
CSB-17-C-5	.312	.312	1.72	1.80
CSB-17-CC-5	.313	.313	1.72	1.80
CSB-17-C-6	.376	.375	1.72	1.80
CSB-17-CC-6	.377	.376	1.72	1.80

MODEL NO.	A	B	C	D
CSB-19-C-4	.250	.250	2.10	2.00
CSB-19-CC-4	.251	.251	2.10	2.00
CSB-19-C-5	.312	.312	2.10	2.00
CSB-19-CC-5	.313	.313	2.10	2.00
CSB-19-C-6	.376	.375	2.10	2.00
CSB-19-CC-6	.377	.376	2.10	2.00

CUSTOMER SHALL MAINTAIN:
Loose pin connection into anti-rotation tab so as not to pre-load bearings.

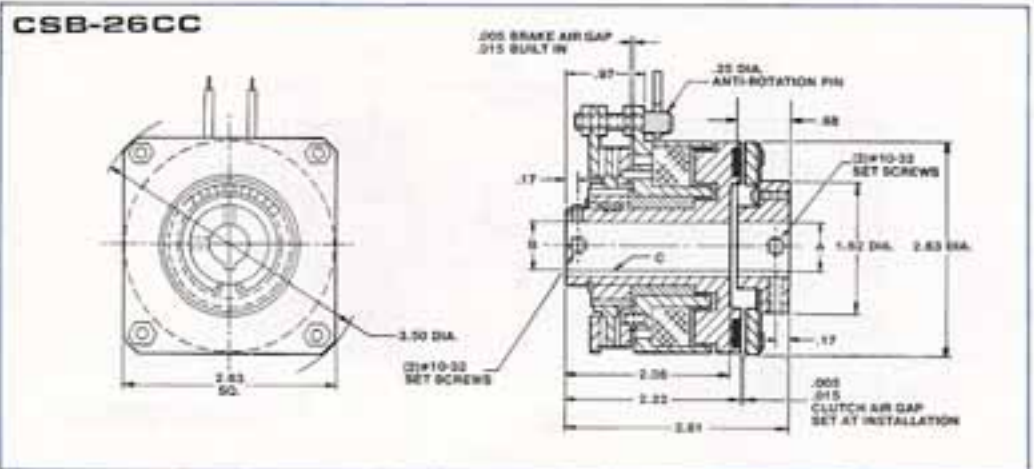
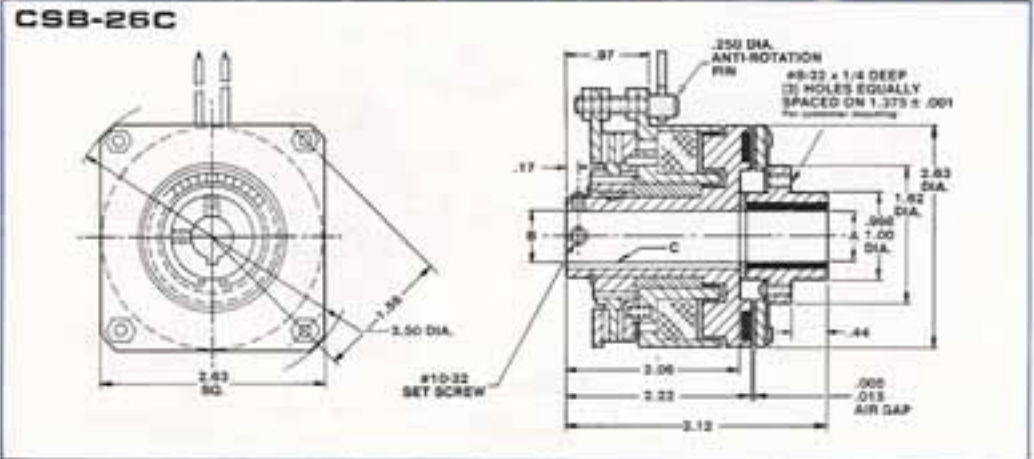
TECHNICAL DATA

MODEL NO.	MECHANICAL		WEIGHT (LBS)	MAXIMUM RATED SPEED (RPM)	ELECTRICAL		
	RATED STATIC TORQUE (IN.-LBS.)				COIL NO.	RATED VOLTAGE (VDC)	CURRENT (AMPS)
	CLUTCH	BRAKE					
CSB-17C	15	6	.75	1000	1	90	.075
CSB-17CC	15	6	.75		2	28	.21
					3	12	.39
					4	6	.78
CSB-19-C	35	8	1.0	1000	1	90	.076
CSB-19CC	35	8	1.0		2	28	.34
					3	12	.40
					4	6	.79

CSB SERIES



U.S. Patent #3,893,191



MODEL NO.	A	B	C
CSB-26C-6	.375 .376	.375 .376	3/32 x 3/64
CSB-26C-8	.500 .501	.500 .501	1/8 x 1/16
CSB-26C-10	.625 .626	.625 .626	7/16 x 3/32

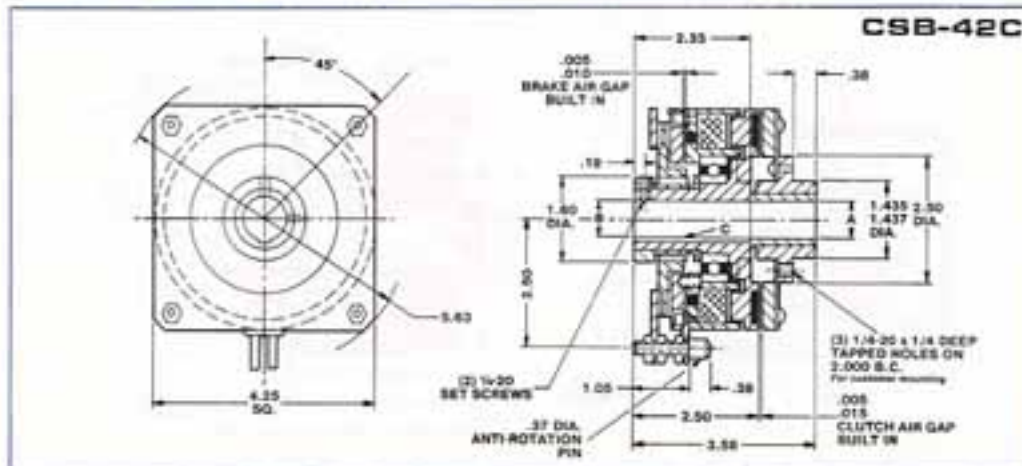
MODEL NO.	A	B	C
CSB-26CC-6	.375 .376	.375 .376	3/32 x 3/64
CSB-26CC-8	.500 .501	.500 .501	1/8 x 1/16
CSB-26CC-10	.625 .626	.625 .626	7/16 x 3/32

CUSTOMER SHALL MAINTAIN:
Loose pin connection into anti-rotation
tab so as not to pre-load bearings.

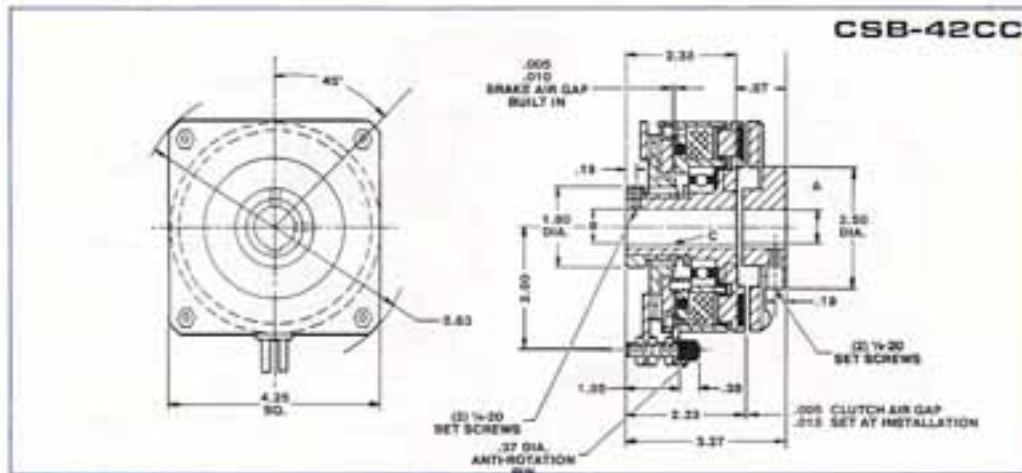
TECHNICAL DATA

MODEL NO.	MECHANICAL			MAXIMUM RATED SPEED (RPM)	ELECTRICAL		
	RATED STATIC TORQUE (IN.-LBS.)		WEIGHT (LBS.)		COIL NO.	RATED VOLTAGE (VDC)	CURRENT (AMPS)
	CLUTCH	BRAKE					
CSB-26-C	65	12	.75	2000	1	90	.12
CSB-26-CC					2	28	.40
			3		12	.85	
			4		6	1.84	

CSB SERIES



U.S. Patent #3,893,191



MODEL NO.	A	B	C
CSB-42C-8	.500 .501	.500 .501	1/8 x 1/8
CSB-42C-10	.625 .626	.625 .626	3/16 x 3/32
CSB-42C-12	.750 .751	.750 .751	3/16 x 3/32
CSB-42C-14	.875 .876	.875 .876	3/16 x 3/32
7CSB-42C-16	1.000 1.001	—	—

MODEL NO.	A	B	C
CSB-42CC-8	.500 .501	.500 .501	1/8 x 1/8
CSB-42CC-10	.625 .626	.625 .626	3/16 x 3/32
CSB-42CC-12	.750 .751	.750 .751	3/16 x 3/32
CSB-42CC-14	.875 .876	.875 .876	3/16 x 3/32
7CSB-42CC-16	1.000 1.001	—	—

CUSTOMER SHALL MAINTAIN:
Loose pin connection into anti-rotation
tab so as not to pre-load bearings.

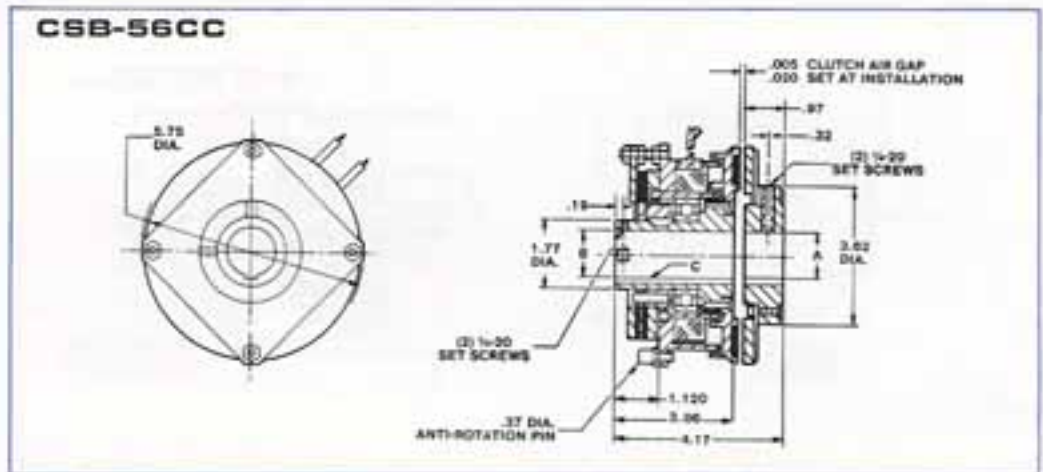
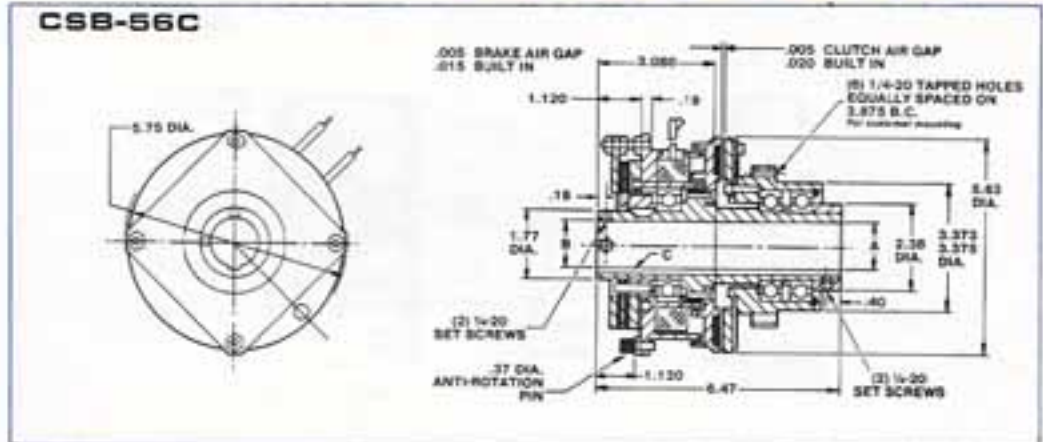
TECHNICAL DATA

MODEL NO.	MECHANICAL		WEIGHT (LBS.)	MAXIMUM RATED SPEED (RPM)	ELECTRICAL		
	RATED STATIC TORQUE (IN.-LBS.)				COIL NO.	RATED VOLTAGE (VDC)	CURRENT (AMPS)
	CLUTCH	BRAKE					
CSB-42-C CSB-42-CC	240	70	9.0	2000	1	90	.19
					2	28	.69
					3	12	1.40
					4	6	2.80

CSB SERIES



U.S. Patent #3,893,191



MODEL NO.	A	B	C
CSB-56C-12	.750 .751	.750 .751	3/16 x 3/32
CSB-56C-14	.875 .876	.875 .876	3/16 x 3/32
CSB-56C-16	1.000 1.001	1.000 1.001	1/4 x 1/8
CSB-56C-18	1.125 1.126	1.125 1.126	1/4 x 1/8
CSB-56C-20	1.250 1.251	1.250 1.251	1/4 x 1/8

MODEL NO.	A	B	C
CSB-56CC-12	.750 .751	.750 .751	3/16 x 3/32
CSB-56CC-14	.875 .876	.875 .876	3/16 x 3/32
CSB-56CC-16	1.000 1.001	1.000 1.001	1/4 x 1/8
CSB-56CC-18	1.125 1.126	1.125 1.126	1/4 x 1/8
CSB-56CC-20	1.250 1.251	1.250 1.251	1/4 x 1/8

CUSTOMER SHALL MAINTAIN:
Loose pin connection into anti-rotation pin so as not to pre-load bearings.

TECHNICAL DATA

MODEL NO.	MECHANICAL				ELECTRICAL		
	RATED STATIC TORQUE (IN.-LBS.) CLUTCH	RATED STATIC TORQUE (IN.-LBS.) BRAKE	WEIGHT (LBS.)	MAXIMUM RATED SPEED (RPM)	COIL NO.	RATED VOLTAGE (VDC)	CURRENT (AMPS)
CSB-56-C CSB-56-CC	600	150	13.00	2000	1	90	.36
					2	28	1.18
					3	12	2.73
					4	6	6.0