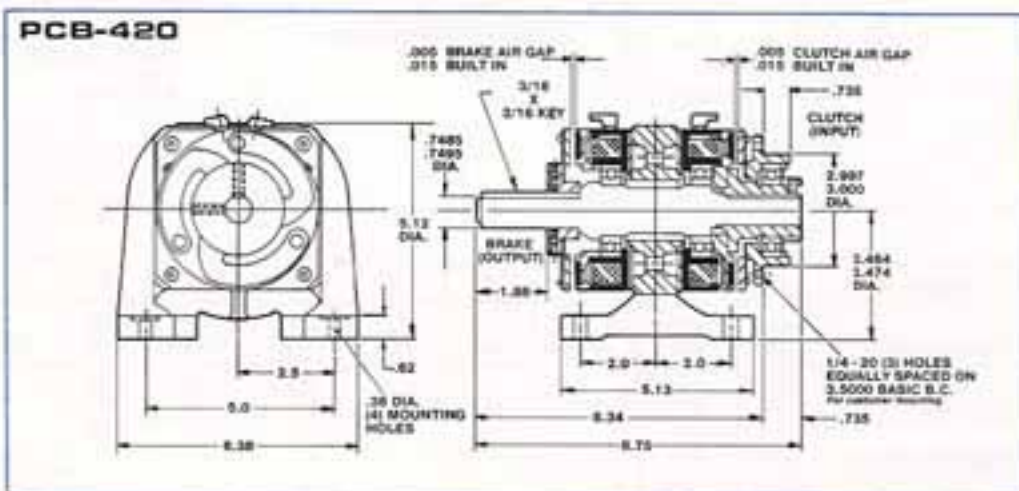
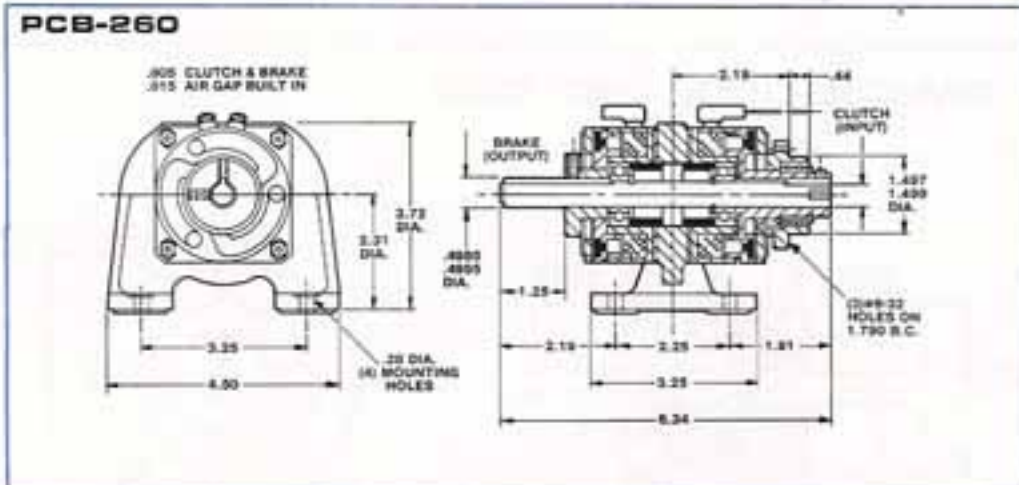


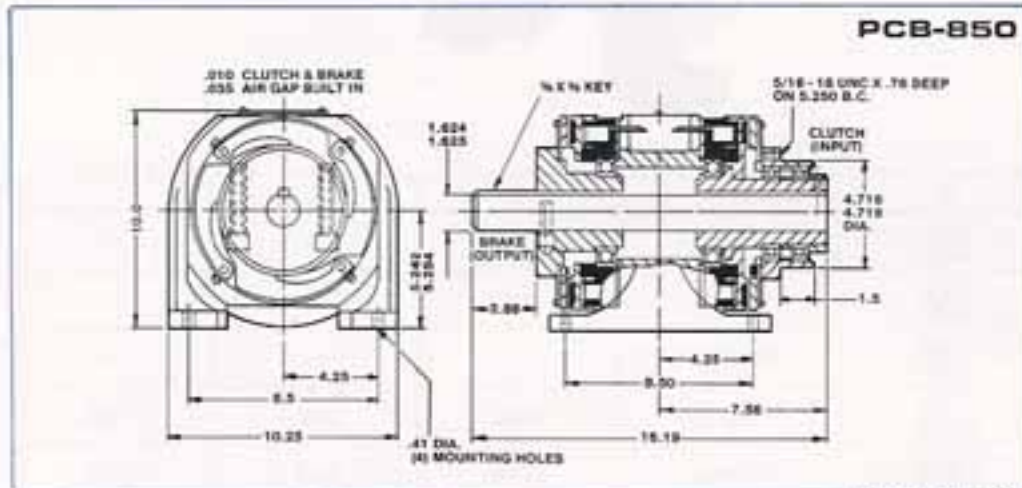
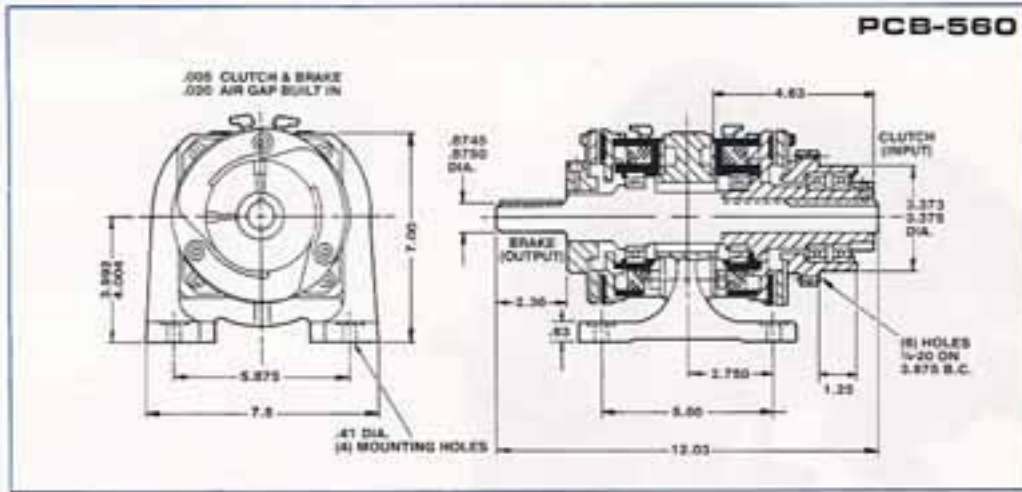
PCB SERIES



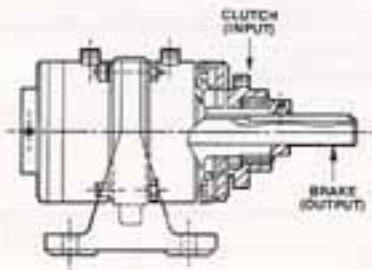
TECHNICAL DATA

MODEL NO.	MECHANICAL		MAXIMUM RATED SPEED (RPM)	ELECTRICAL		
	RATED STATIC TORQUE (IN.-LBS.)	WEIGHT (LBS.)		COIL NO.	RATED VOLTAGE (VDC)	CURRENT (AMPS)
	CLUTCH	BRAKE				
PCB-260	75	75	3500	1	90	.09
				2	28	.29
				3	12	.63
				4	6	1.36
PCB-420	240	240	5000	1	90	.13
				2	28	.41
				3	12	.96
				4	6	1.92

PCB SERIES



PCB OPTION



TECHNICAL DATA

MODEL NO.	MECHANICAL		WEIGHT (LBS.)	MAXIMUM RATED SPEED (RPM)	ELECTRICAL		
	RATED STATIC TORQUE (IN.-LBS.)				COIL NO.	RATED VOLTAGE (VDC)	CURRENT (AMPS)
	CLUTCH	BRAKE					
PCB-560	600	600	32	4000	1	90	.35
					2	28	1.12
					3	12	2.70
					4	6	5.4
PCB-850	1800	1800	110	3600	1	90	.40
					2	28	1.76
					3	12	3.00
					4	6	6.0