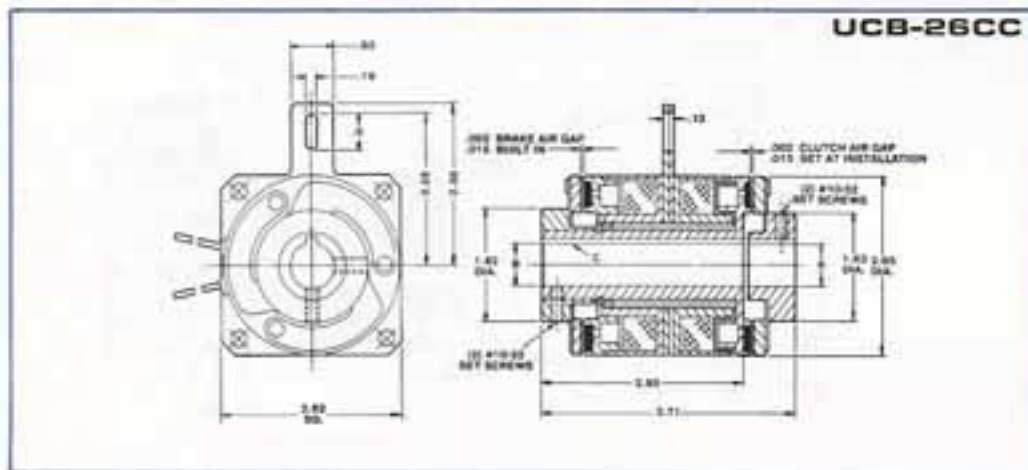
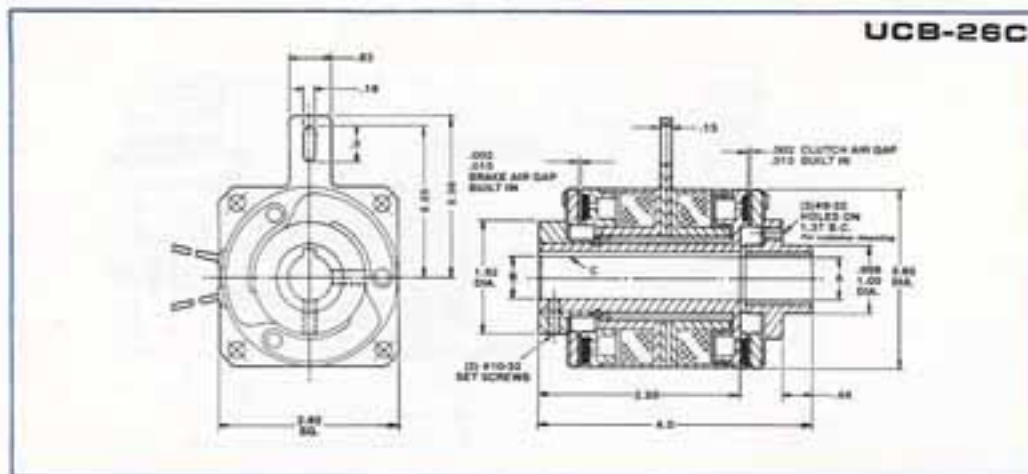


UCB SERIES



MODEL NO.	A	B	C
UCB-26C-8	.500 .501	.500 .501	1/8 x 1/8
UCB-26C-10	.625 .626	.625 .626	1/8 x 3/16

MODEL NO.	A	B	C
UCB-26CC-8-8	.500 .501	.500 .501	1/8 x 1/8
UCB-26CC-10-10	.625 .626	.625 .626	1/8 x 3/16

UCB-26C-26CC NOTES:

Rotor hub is secured to shaft by set screw (see C).
Special flat keyway is available upon request.

CUSTOMER SHALL MAINTAIN:

Loose pin connection into anti-rotation tab so as not to pre-load bearings.
Surface of pilot mounting to be square with shaft within .003 T.I.R. measured at 3.125 B.C.
Concentricity of field mounting pilot diameter with rotor mounting shaft within .005 T.I.R.
Squareness of field mounting face with shafts within .003 T.I.R.
Concentricity between shafts within .005 T.I.R.

TECHNICAL DATA

MECHANICAL						ELECTRICAL			
MODEL NO.	RATED STATIC TORQUE (IN-LB)		WEIGHT (LBS.)	RESPONSE TIME (MSEC)	LIFE AT RATED TORQUE (MEGACYCLES)	MAXIMUM RATED SPEED (RPM)	COIL NO.	RATED VOLTAGE (VDC)	CURRENT (AMPS)
	CLUTCH	BRAKE							
UCB-26C	60	60	3.0	42	3	3000	1	90	.09
							2	24/28	.290
							3	12	.680
							4	6	1.36
UCB-26CC	60	60	3.0	42	3	3000	1	90	.09
							2	24/28	.290
							3	12	.680
							4	6	1.36

