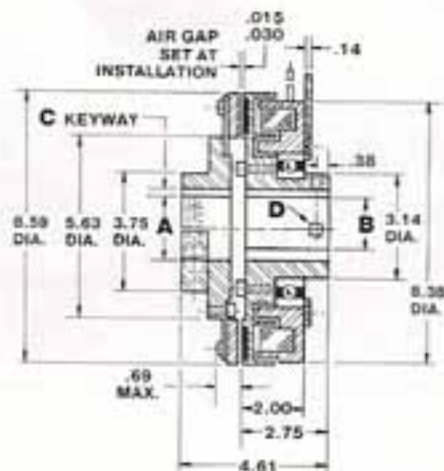
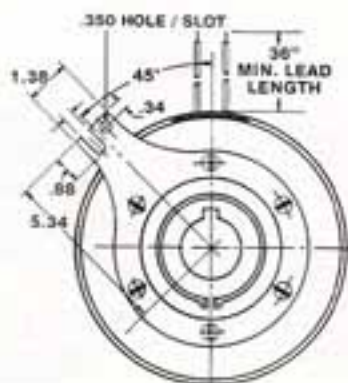


BEC SERIES

BEC-85CC



MODEL NO.	A ^{+0.001} / _{-0.000}	B ^{+0.001} / _{-0.000}	C	D
BEC-85CC-16	1.000	1.000	1/4 x 1/8	#1/16 UNC SET SCREWS (TWO)
BEC-85CC-18	1.125	1.125		
BEC-85CC-20	1.250	1.250		
BEC-85CC-22	1.375	1.375	5/16 x 5/32	
BEC-85CC-24	1.500	1.500	3/8 x 3/16	
BEC-85CC-26	1.625	1.625		
BEC-85CC-28	1.750	1.750		
BEC-85CC-30	1.875	1.875	1/2 x 1/4	
BEC-85CC-32	2.000	2.000		

BEC-85CC NOTES:

- 90 and 28 volt coils are standard. Other coil voltages available on request.
- Pigtail electrical connections (Style "L") shown. Screw terminals Style "T" also available. "T" Style provides female threads for #4-40 screws. (Screws and rubber insulators are supplied when specifying "T" Style) Specify "L" or "T" Style when ordering.

CUSTOMER SHALL MAINTAIN:

Loose fit in .342/.350 hole or slot. Solid mounting will pre-load bearing and reduce operating life of unit.

TECHNICAL DATA

MODEL NO.	RATED STATIC TORQUE (IN-LB)	MECHANICAL						ELECTRICAL			
		WEIGHT (LBS.)		INERTIA (LB-IN ²)		RESPONSE TIME (MSEC)	LIFE AT RATED TORQUE (MILLION CYCLES)	MAXIMUM RATED SPEED (RPM)	COIL NO.	RATED VOLTAGE (VDC)	CURRENT (AMPS)
		ARMATURE ASSEMBLY	FIELD ASSEMBLY	ARMATURE ASSEMBLY	ROTOR ASSEMBLY						
BEC-85CC	1800	12	26	.62	.66	250	2	2000	1	90	.50
									2	24/28	1.61