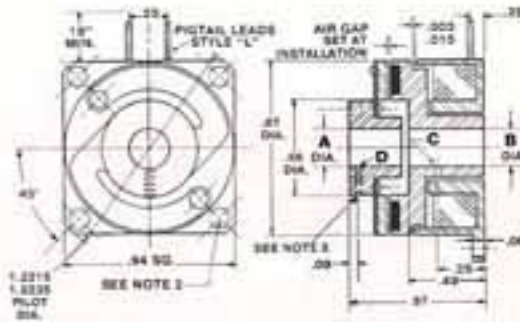
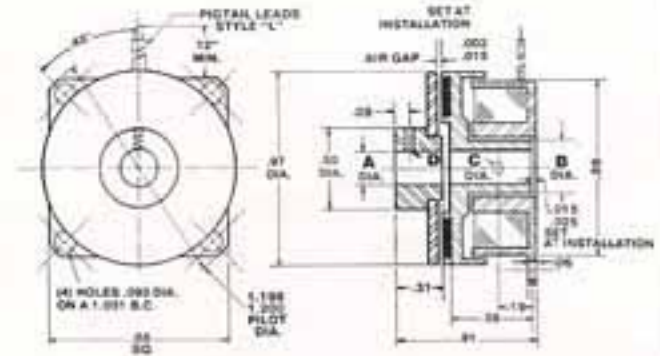


# ECA SERIES

**ECA-08CC**



**ECA-10CC**



MODEL NO.	A	B	C	D
ECA-08CC-3	.1875 .1885	.1875 .1885	.078 .081	#4-40 SET SCREWS

MODEL NO.	A	B	C	D
ECA-10CC-3	.1875 .1885	.1875 .1885	.062 .065	#4-40 SET SCREW
ECA-10CC-4	.250 .251	.250 .251	.062 .065	#4-40 SET SCREW

**ECA-08CC NOTES:**

- Rotor is secured to shaft by roll pin (see C).
- (2) holes  $\frac{.046}{.049}$  dia. 180° apart on a  $.437 \pm .002$  B.C. Use #00 x 1/8 long, type "U" drive screw to secure return spring to customer part when standard hub is not used.
- Armature is secured to shaft by set screw (see D).

**CUSTOMER SHALL MAINTAIN:**

Concentricity of field mounting pilot diameter with shaft(s) within .003 T.I.R.  
 Squareness of stationary field mounting face with shafts within .002 T.I.R. measured at 1.072 B.C.  
 Axial dimensions  $\frac{.002}{.015}$  and  $\frac{.003}{.015}$  to control proper clearances  
 Concentricity between armature shaft and rotor shaft within .003 T.I.R.

**ECA-10CC NOTE:**

Rotor and armature are secured to shafts by roll pin and set screw (see C and D).

**CUSTOMER SHALL MAINTAIN:**

Concentricity of field mounting pilot diameter with shafts within .003 T.I.R.  
 Squareness of stationary field mounting face with shafts within .003 T.I.R. measured at 1.031 B.C.

**TECHNICAL DATA**

MODEL NO.	RATED STATIC TORQUE (IN-LB)	MECHANICAL					ELECTRICAL					
		WEIGHT (OZ.)			INERTIA (LB-IN <sup>2</sup> )		RESPONSE TIME (MSEC)	LIFE AT RATED TORQUE (MILLION CYCLES)	MAXIMUM RATED SPEED (RPM)	COIL NO.	RATED VOLTAGE (VDC)	CURRENT (AMPS)
		ARMATURE ASSEMBLY	ROTOR ASSEMBLY	FIELD ASSEMBLY	ARMATURE ASSEMBLY	ROTOR ASSEMBLY						
ECA-08CC	1.5	.28	.38	.77	.0014	.0021	10	5	10,000	1	90	.043
										2	24/28	.175
										3	12	.320
										4	6	.640
ECA-10CC	1.0	.34	.46	.75	.0011	.0019	18	5	10,000	1	90	.042
										2	24/28	.136
										3	12	.315
										4	6	.630

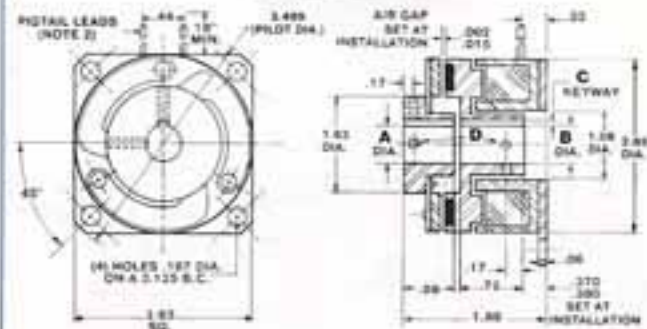




# ECA SERIES



**ECA-26CC**



MODEL NO.	A	B	C	D
ECA-26CC-6	.375 .376	.375 .376	3/64 X 3/32	#10-32 SET SCREW
ECA-26CC-8	.500 .501	.500 .501	1/16 X 1/8	#10-32 SET SCREW
ECA-26CC-10	.625 .626	.625 .626	1/16 X 3/16	#10-32 SET SCREW
ECA-26CC-12-10	.750 .751	.625 .626	FLAT KEYWAY	#10-32 SET SCREW

**ECA-26CC NOTES:**

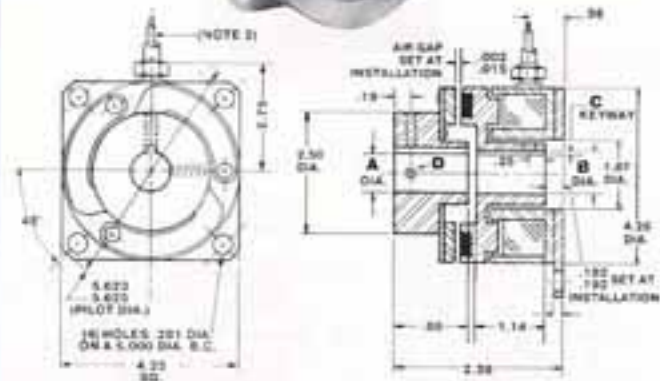
1. Rotor and armature are secured to shafts by (4) set screws and (2) keys (see C and D).
2. "L" Style shown. Terminal style also available...specify "T" Style. "T" Style provides female threads for #4-40 screw (screws and rubber insulators are supplied when specifying "T" Style).

**CUSTOMER SHALL MAINTAIN:**

Concentricity of field mounting pilot diameter with rotor mounting shaft within .005 T.I.R.  
 Squareness of field mounting face with shafts within .003 T.I.R.  
 Concentricity between shafts within .005 T.I.R.  
 Initial setting of  $\frac{.002}{.015}$  air gap between friction face.



**ECA-42CC**



MODEL NO.	A	B	C	D
ECA-42CC-8	.500 .501	.500 .501	1/16 X 1/8	#1/4-20 SET SCREW
ECA-42CC-10	.625 .626	.625 .626	3/32 X 3/16	#1/4-20 SET SCREW
ECA-42CC-12	.750 .751	.750 .751	3/32 X 3/16	#1/4-20 SET SCREW
ECA-42CC-14	.875 .876	.875 .876	3/32 X 3/16	#1/4-20 SET SCREW
ECA-42CC-16	1.000 1.001	1.000 1.001	1/8 X 1/4	#1/4-20 SET SCREW

**ECA-42CC NOTES:**

1. Rotor and armature are secured to shafts by (4) set screws and (2) keys (see C and D).
2. "H" Style shown. Unit is available with terminals (Style "T") or 18" long pigtail leads (Style "L") specify "H", "T" or "L" when ordering.

**CUSTOMER SHALL MAINTAIN:**

Concentricity of field mounting pilot diameter with rotor mounting shaft within .003 T.I.R.  
 Squareness of field mounting pilot diameter with rotor shaft within .003 T.I.R.  
 Armature shaft and rotor shaft to be concentric within .005 T.I.R.

**TECHNICAL DATA**

MODEL NO.	RATED STATIC TORQUE (IN-LB)	MECHANICAL					RESPONSE TIME (MSEC)	LIFE AT RATED TORQUE (MILLION CYCLES)	MAXIMUM RATED SPEED (RPM)	ELECTRICAL		
		WEIGHT (LBS.)			INERTIA (LB-IN <sup>2</sup> )					COIL NO.	RATED VOLTAGE (VDC)	CURRENT (AMPS)
		ARMATURE ASSEMBLY	ROTOR ASSEMBLY	FIELD ASSEMBLY	ARMATURE ASSEMBLY	ROTOR ASSEMBLY						
ECA-26CC	75	.40	.24	1.00	.33	.40	42	3	7,500	1	90	.090
										2	24/28	.290
										3	12	.680
										4	6	1.360
ECA-42CC	240	1.40	1.38	2.00	2.77	2.75	90	1 1/2	5,000	1	90	.130
										2	24/28	.410
										3	12	.960
										4	6	1.920