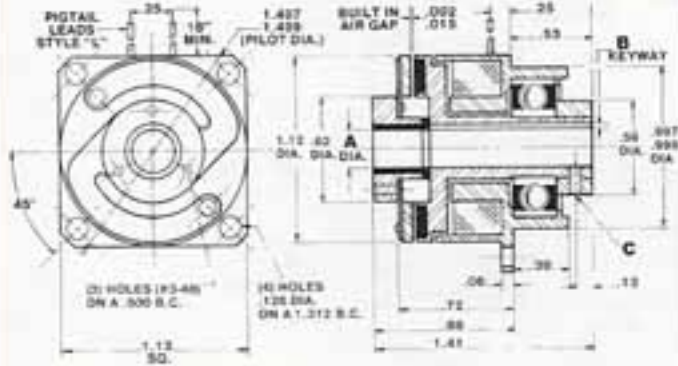
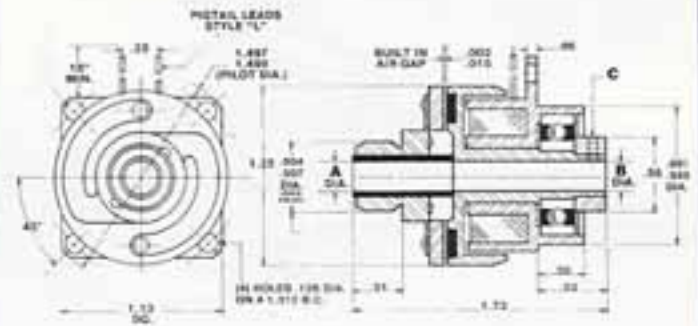


# BEC SERIES

**BEC-11C**



**BEC-12C**



MODEL NO.	A	B	C
BEC-11C-3	.187 .188	NONE	#4-40 SET SCREW
BEC-11C-4	.250 .251	1/32 X 1/16	#4-40 SET SCREW
BEC-11C-5	.3125 .3135	NONE	#4-40 SET SCREW

**BEC-11C NOTE:**

1. Rotor hub is secured to shaft by set screw and woodruff key #201 (see B and C).

**CUSTOMER SHALL MAINTAIN:**

Concentricity of field mounting pilot with shaft within .002 T.I.R.  
Squareness of stationary field mounting face with shaft within .002 T.I.R. measured at 1.312 B.C.

MODEL NO.	A	B	C
BEC-12C-4	.250 .251	.250 251	#4-40 SET SCREW
BEC-12C-5	.3125 .3135	.312 313	#4-40 SET SCREW

**BEC-12C NOTES:**

1. Rotor hub is secured to shaft by set screw (see C).
2. Use 1/32 dia. pin to hold magnet body from turning. Pin to be loose fit otherwise pre-load bearing. Use one pin only located on any one of four holes.

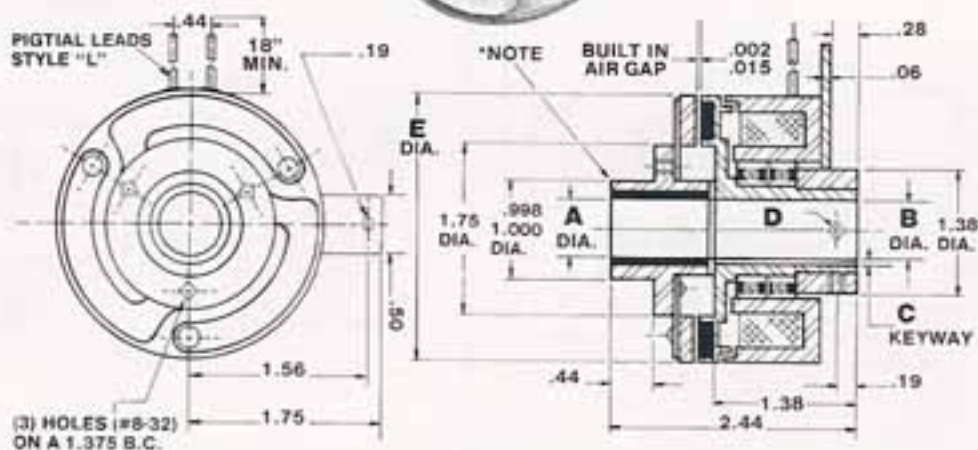
**TECHNICAL DATA**

MODEL NO.	RATED STATIC TORQUE (IN-LB)	MECHANICAL					ELECTRICAL					
		WEIGHT (OZ.)			INERTIA (LB-IN <sup>2</sup> )		RESPONSE TIME (MSEC)	LIFE AT RATED TORQUE (MILLION CYCLES)	MAXIMUM RATED SPEED (RPM)	COIL NO.	RATED VOLTAGE (VDC)	CURRENT (AMPS)
		ARMATURE ASSEMBLY	ROTOR ASSEMBLY	FIELD ASSEMBLY	ARMATURE ASSEMBLY	ROTOR ASSEMBLY						
BEC-11C	2 1/2	.46	.55	1.2	.0035	.0069	20	5	10,000	1	90	.050
										2	24/28	.160
										3	12	.375
										4	6	.750
BEC-12C	5	.80	.65	2	.007	.007	22	5	10,000	1	90	.053
										2	24/28	.170
										3	12	.400
										4	6	.800

# BEC SERIES



**BEC-26C-30C**



MODEL NO.	A	B	C	D	E
BEC-26C-6	.375 .376	.375 .376	3/64 X 3/32	#10-32 SET SCREW	2.625
BEC-26C-8	.500 .501	.500 .501	1/16 X 1/8	#10-32 SET SCREW	2.625
BEC-26C-10	.625 .626	.625 .626	1/16 X 3/16	#10-32 SET SCREW	2.625

MODEL NO.	A	B	C	D	E
BEC-30C-6	.375 .376	.375 .376	3/64 X 3/32	#10-32 SET SCREW	3.00
BEC-30C-8	.500 .501	.500 .501	1/16 X 1/8	#10-32 SET SCREW	3.00
BEC-30C-10	.625 .626	.625 .626	1/16 X 3/16	#10-32 SET SCREW	3.00

**BEC-26C-30C NOTES:**

1. Rotor hub is secured to shaft by (2) set screws and key (see C and D).
2. Terminal Style available. Provides female threads for #4-40 screw (screws and rubber insulators are supplied). Specify "T" Style when ordering.

**CUSTOMER SHALL MAINTAIN:**

Loose fit in 3/16 in. dia. hole. This is important. This is for strain relief only and solid mounting will pre-load bearings.

\*"N" Style hub optional. See power transmission options.

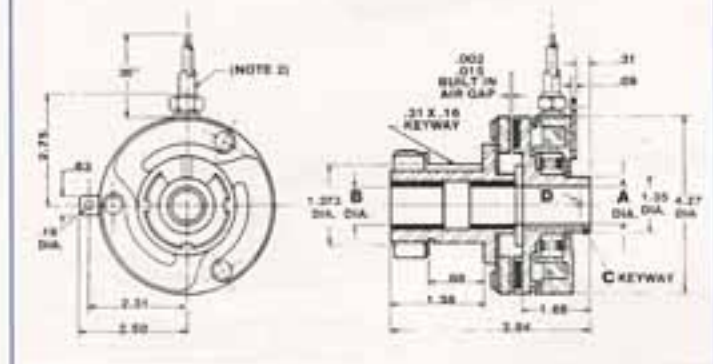
**TECHNICAL DATA**

MODEL NO.	RATED STATIC TORQUE (IN-LB)	MECHANICAL							ELECTRICAL			
		WEIGHT (LBS.)			INERTIA (LB-IN <sup>2</sup> )		RESPONSE TIME (MSEC)	LIFE AT RATED TORQUE (MILLION CYCLES)	MAXIMUM RATED SPEED (RPM)	COIL NO.	RATED VOLTAGE (VDC)	CURRENT (AMPS)
		ARMATURE ASSEMBLY	ROTOR ASSEMBLY	FIELD ASSEMBLY	ARMATURE ASSEMBLY	ROTOR ASSEMBLY						
BEC-26C	75	.40	.44	1.00	.33	.30	42	3	7,500	1	90	.090
		1.00*			.63*					2	24/28	.290
										3	12	.680
										4	6	1.360
BEC-30C	90	.50	.62	1.00	.40	.35	60	3	7,500	1	90	.120
		1.10*			.72*					2	24/28	.400
										3	12	.880
										4	6	1.360

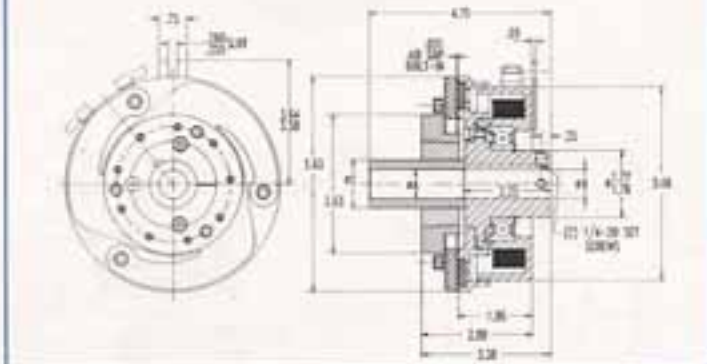


# BEC SERIES

## BEC-42C



## BEC-56C



MODEL NO.	A	B	C	D
BEC-42C-8	.500 .501	.500 .501	1/8 x 1/8	#1/8-20 SET SCREW
BEC-42C-10	.625 .626	.625 .626	3/16 x 3/16	#1/8-20 SET SCREW
BEC-42C-12	.750 .751	.750 .751	3/16 x 3/16	#1/8-20 SET SCREW

MODEL NO.	A	B	C
BEC-56C-12	.750 .751	.750 .751	1.253 1.251
BEC-56C-16	1.000 1.001	1.000 1.001	1.253 1.251
BEC-56C-20	1.250 1.251	1.250 1.251	1.628 1.626

### BEC-42C NOTES:

- Rotor hub is secured to shaft by (2) set screws and key (see C and D).
- "H" Style shown, unit is available with Terminals (Style "T") or 18" Long Pigtail Leads (Style "L"). Specify "H", "T" or "L" when ordering.

### CUSTOMER SHALL MAINTAIN:

Anti-rotation tab requires loose fit in 1/8 dia. hole. Solid mounting will pre-load bearing, and reduce operating life.

### BEC-56C NOTES:

- Rotor hub is secured to shaft by (2) set screws and key.
- "T" Style shown, unit is available with 18" Long Pigtail Leads (Style "L") or "H" Style cord. Specify "H", "T" or "L" when ordering.

### CUSTOMER SHALL MAINTAIN:

Anti-rotation tab requires loose fit in 1/8" wide slot. Solid mounting will pre-load bearing, and reduce operating life.

MODEL NO.	RATED STATIC TORQUE (IN-LB)	MECHANICAL					RESPONSE TIME (MSEC)	LIFE AT RATED TORQUE (MILLION CYCLES)	MAXIMUM RATED SPEED (RPM)	ELECTRICAL		
		WEIGHT (LBS.)			INERTIA (LB-IN <sup>2</sup> )					COIL NO.	RATED VOLTAGE (VDC)	CURRENT (AMPS)
		ARMATURE ASSEMBLY	ROTOR ASSEMBLY	FIELD ASSEMBLY	ARMATURE ASSEMBLY	ROTOR ASSEMBLY						
BEC-42C	240	1.70	1.38	2.00	4.05	2.55	90	1 1/2	5,000	1	90	.130
										2	24/28	.410
										3	12	.960
										4	6	1.920
BEC-56C	600	3.48	3.75	4.0	10.08	14.40	110	1	4,000	1	90	.35
										2	24/28	1.12
										3	12	2.70
										4	6	5.40