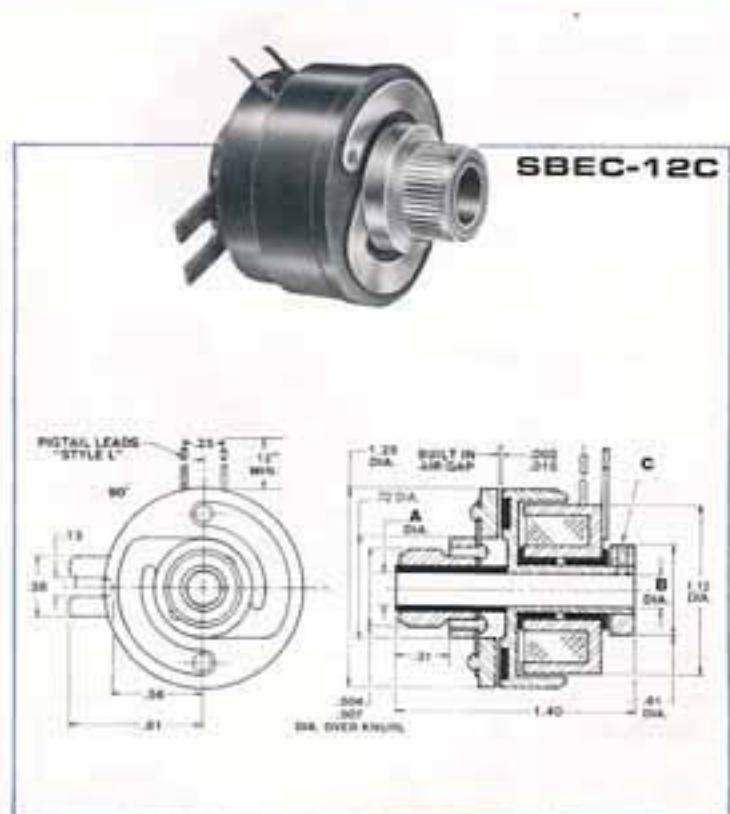


SBEC SERIES



MODEL NO.	A	B	C
SBEC-10C-3	.1875 .1885	#4-40 SET SCREW	.1875 .1885
SBEC-10C-4	.2505 .2515	#4-40 SET SCREW	.2505 .2515

MODEL NO.	A	B	C
SBEC-12C-4	.2505 .2515	.2505 .2515	#4-40 SET SCREW
SBEC-12C-5	.3125 .3135	.3125 .3135	#4-40 SET SCREW

SBEC-10C NOTES:

1. Rotor hub is secured to shaft by set screw (see B)
2. Use .078 dia. pin to hold magnet body from turning. Pin to be loose fit to prevent pre-load of bearing.

SBEC-12C NOTE:

1. Rotor hub is secured to shaft by set screw (see C).

CUSTOMER SHALL MAINTAIN:

Concentricity of field mounting pilot with shaft within .002 T.I.R.
Squareness of stationary field mounting face with shaft within .002 T.I.R. measured at 1.031 B.C.

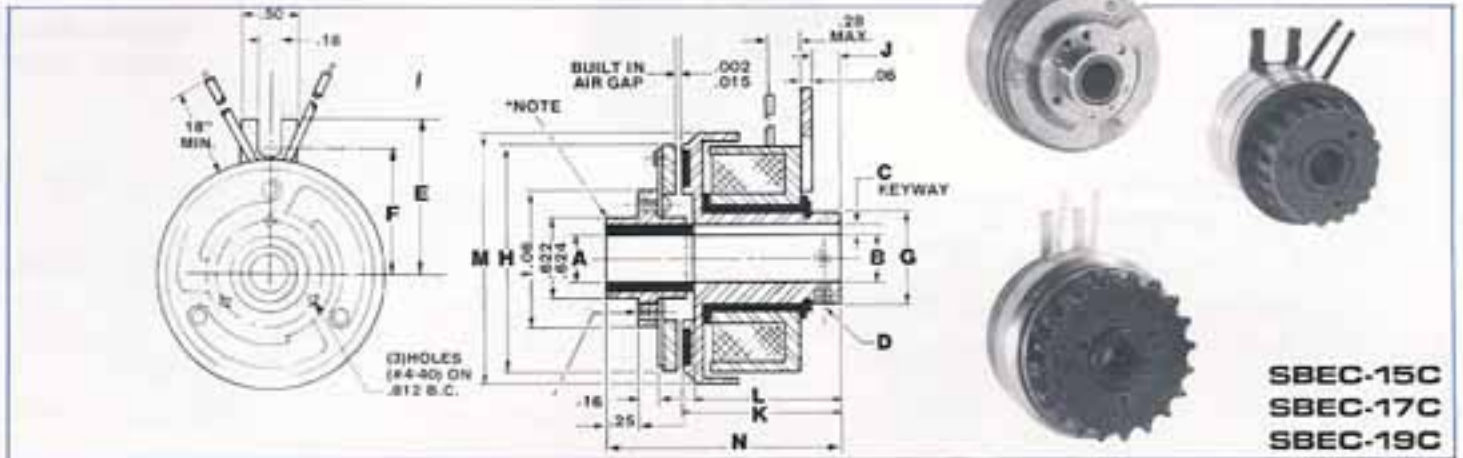
CUSTOMER SHALL MAINTAIN:

Loose pin connection into anti-rotation tab so as not to pre-load bearing.

TECHNICAL DATA

MODEL NO.	RATED STATIC TORQUE (IN.-LB)	MECHANICAL					ELECTRICAL					
		WEIGHT (OZ.)			INERTIA (LB-IN ²)		RESPONSE TIME (MSEC)	LIFE AT RATED TORQUE (MILLION CYCLES)	MAXIMUM RATED SPEED (RPM)	COIL NO.	RATED VOLTAGE (VDC)	CURRENT (AMPS)
		ARMATURE ASSEMBLY	ROTOR ASSEMBLY	FIELD ASSEMBLY	ARMATURE ASSEMBLY	ROTOR ASSEMBLY						
SBEC-10C	1	.34	.46	.75	.00112	.00198	18	5	1,750	1	90	.042
										2	24/28	.136
										3	12	.315
										4	6	.630
SBEC-12C	5.0	.8	1.0	1.2	.007	.0159	22	5	3,000	1	90	.053
										2	24/28	.170
										3	12	.400
										4	6	.800

SBEC SERIES



*Unit shown with basic hub. Sprockets and timing pulleys available. See power transmission options.

MODEL NO.	A-B DIA.	C	D SET SCREW (2)	E	F	G DIA.	H DIA.	J	K	L	M DIA.	N
SBEC-15C-4	.251 .250	1/32 X 1/16	#8-32	1.12	.84	.65	1.50	24	1.10	1.04	1.50	1.67
SBEC-15C-5	.3135 .3125	1/32 X 1/16										
SBEC-15C-6	.376 .375	3/64 X 3/32										
SBEC-17C-4	.251 .250	1/32 X 1/16	#8-32	1.32	1.06	.62	1.75	19	1.20	1.08	1.80	1.78
SBEC-17C-5	.3135 .3125	1/32 X 1/16										
SBEC-17C-6	.376 .375	3/64 X 3/32										
SBEC-19C-4	.251 .250	1/32 X 1/16	#8-32	1.32	1.06	.69	1.75	27	1.28	1.16	1.91	1.84
SBEC-19C-5	.3135 .3125	1/32 X 1/16										
SBEC-19C-6	.376 .375	3/64 X 3/32										

SBEC-15C-17C-19C NOTE:

1. Rotor hub is secured to shaft by key and (2) set screws (See C and D).

CUSTOMER SHALL MAINTAIN:

Loose fit 3/16 in. wide slot. Solid mounting will pre-load bearings.

TECHNICAL DATA

MODEL NO.	RATED STATIC TORQUE (IN-LB)	MECHANICAL							ELECTRICAL			
		WEIGHT (LBS.)			INERTIA (LB-IN ²)		RESPONSE TIME (MSEC)	LIFE AT RATED TORQUE (MILLION CYCLES)	MAXIMUM RATED SPEED (RPM)	COIL NO.	RATED VOLTAGE (VDC)	CURRENT (AMPS)
		ARMATURE ASSEMBLY	ROTOR ASSEMBLY	FIELD ASSEMBLY	ARMATURE ASSEMBLY	ROTOR ASSEMBLY						
SBEC-15C	10	.10	.13	.28	.04	.05	25	5	3,000	1	90	.06
										2	24/28	.22
										3	12	.37
										4	6	.73
SBEC-17C	15	.12	.17	.32	.07	.07	32	3	3,000	1	90	.09
										2	24/28	.33
SBEC-19C	20	.12	.18	.35	.07	.10	35	3	3,000	3	12	.66
										4	6	1.33

