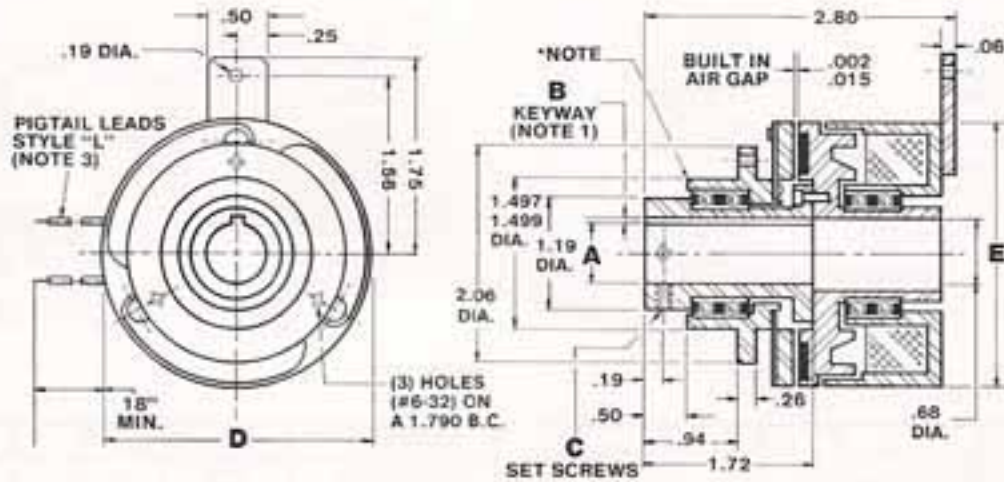




SEC-26C
SEC-30C



MODEL NO.	A	B	C	D	E
SEC-26C-8	.500 .501	1/16 X 1/8	#10-32 SET SCREW	2.63	2.62
SEC-26C-10	.625 .626	1/16 X 3/16	#10-32 SET SCREW	2.63	
SEC-30C-8	.500 .501	1/16 X 1/8	#10-32 SET SCREW	3.00	2.62
SEC-30C-10	.625 .626	1/16 X 3/16	#10-32 SET SCREW	3.00	

*Sheave optional. See power transmission options.

SEC-26C-30C NOTES:

1. Rotor hub is secured to shaft by (2) set screws and key (C).
2. Do not force fit your part on 1.499/1.497 dia. Since this can cause reduced ball bearing life.
3. "L" Style shown, Terminal Style available (Style "T"). Provides female threads for # 4-40 screw (screws and rubber insulators supplied). Sheathed Line Cord (Style "H") available on special order.

CUSTOMER SHALL MAINTAIN:

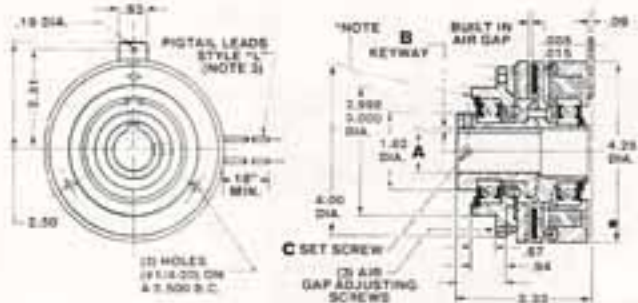
Anti-rotation tab requires loose fit in 3/16 dia. hole. Solid mounting will pre-load bearing, and reduce operating life.

TECHNICAL DATA

MODEL NO.	RATED STATIC TORQUE (IN-LB)	MECHANICAL						ELECTRICAL		
		WEIGHT (LBS.)	INERTIA (LB-IN ²)		RESPONSE TIME (MSEC)	LIFE AT RATED TORQUE (MILLION CYCLES)	MAXIMUM RATED SPEED (RPM)	COIL NO.	RATED VOLTAGE (VDC)	CURRENT (AMPS)
			TOTAL UNIT WEIGHT	ARMATURE ASSEMBLY						
SEC-26C	75	2.5	.75	.45	42	3	7,500	1	90	.050
								2	24/28	.160
								3	12	.375
								4	6	.750
SEC-30C	90	3.0	.86	.52	60	3	7,500	1	90	.120
								2	24/28	.400
								3	12	.880
								4	6	1.360

SEC SERIES

SEC-42C



*Sheave available. See power transmission options.

MODEL NO.	A	B	C
SEC-42C-12	.750 .751	3/32 X 3/16	1/4-20 SET SCREW
SEC-42C-14	.875 .876	3/32 X 3/16	1/4-20 SET SCREW
SEC-42C-18	1.000 1.001	1/8 X 1/4	1/4-20 SET SCREW

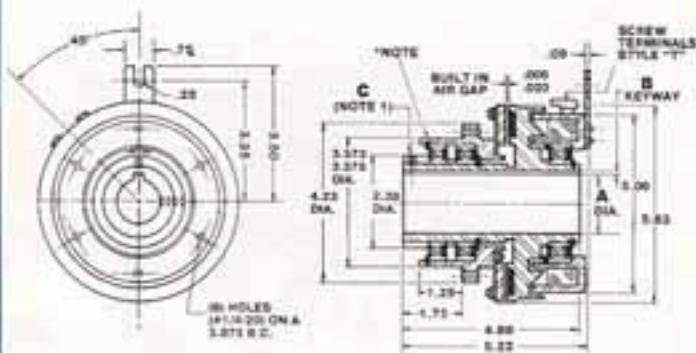
SEC-42C NOTES:

- Unit mounts on "A" dia.
- Do not force fit your part on 3.000/2.998 dia. since this can cause reduced ball bearing life.
- ("L" Style) shown, unit is available with Terminals (Style "T"). Specify "T" or "L" when ordering. "SJ" cord (Style "H" available on special order).

CUSTOMER SHALL MAINTAIN:

Loose fit in 3/16 dia. hole. Solid mounting will pre-load bearings and shorten life of unit.

SEC-56C



MODEL NO.	A	B	C
SEC-56C-14	.875 .876	3/32 X 3/16	#1/4-20 SET SCREW
SEC-56C-16	1.000 1.001	1/8 X 1/4	#1/4-20 SET SCREW
SEC-56C-18	1.125 1.125	1/8 X 1/4	#1/4-20 SET SCREW
SEC-56C-20	1.250 1.251	1/8 X 1/4	#1/4-20 SET SCREW

SEC-56C NOTES:

- Rotor hub is secured to shaft by set screw and key (see B and C).
- Unit available with Screw Terminals (Style "T") or Pigtail Leads (Style "L"). "SJ" Cord (Style "H") available on special order.

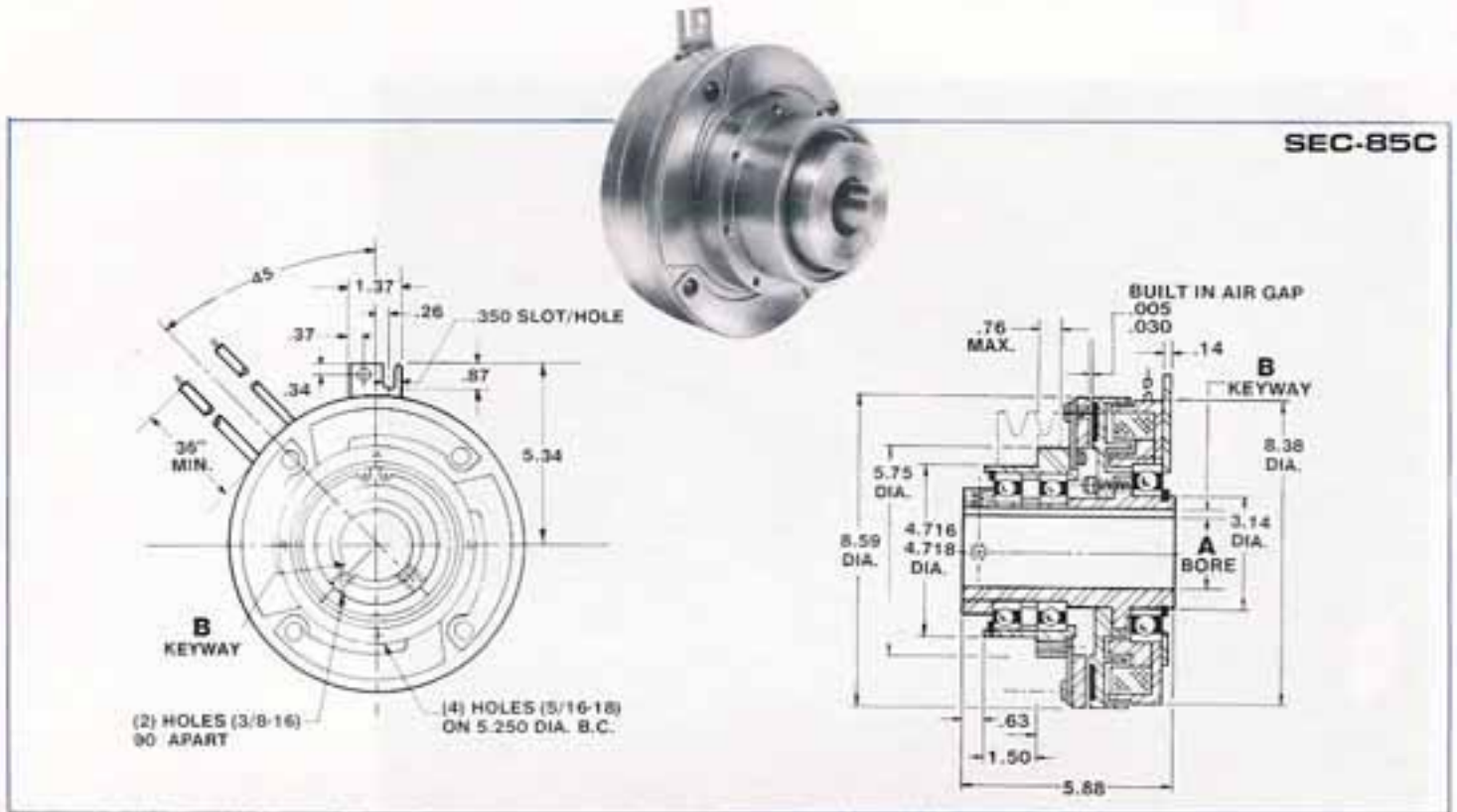
CUSTOMER SHALL MAINTAIN:

Anti-rotation tab requires loose fit in 1/4 in. wide slot. Solid mounting will pre-load bearing, and reduce operating life.

TECHNICAL DATA

MODEL NO.	RATED STATIC TORQUE (IN-LB)	MECHANICAL						ELECTRICAL		
		WEIGHT (LBS.)	INERTIA (LB-IN ²)		RESPONSE TIME (MSEC)	LIFE AT RATED TORQUE (MILLION CYCLES)	MAXIMUM RATED SPEED (RPM)	COIL NO.	RATED VOLTAGE (VDC)	CURRENT (AMPS)
			TOTAL UNIT WEIGHT	ARMATURE ASSEMBLY						
SEC-42C	240	5.5	7.0	7.0	90	1 1/2	5,000	1	90	.130
								2	24/28	.410
								3	12	.960
								4	6	1.920
SEC-56C	600	12.15	11.52	17.28	110	1	7,500	1	90	.35
								2	24/28	1.12
								3	12	2.70
								4	6	5.40

SEC SERIES



MODEL NO.	A $+0.001$ -0.000	B
SEC-85C-16	1.000	1/4 X 1/8
SEC-85C-18	1.125	1/4 X 1/8
SEC-85C-20	1.250	1/4 X 1/8
SEC-85C-22	1.375	5/16 X 5/32
SEC-85C-24	1.500	3/8 X 7/16
SEC-85C-26	1.625	3/8 X 7/16
SEC-85C-28	1.750	3/8 X 7/16
SEC-85C-30	1.875	1/2 X 1/4
SEC-85C-32	2.000	1/2 X 1/4

SEC-85C NOTES:

1. Sheaves, Sprockets, etc., can be provided as an integral part of armature assembly
2. 90 and 28 volt coils standard. Other coil voltages available on request.
3. Pigtail Electrical Connections (Style "L") shown. Screw Terminals (Style "T"), #4-40 screws also available. Specify style "L" or "T" when ordering.

CUSTOMER SHALL MAINTAIN:

Loose fit in .342/.350 dia. hole or .342/.350 wide slot. Solid mounting will pre-load bearing and reduce operating life.

TECHNICAL DATA

MODEL NO.	RATED STATIC TORQUE (IN-LB)	MECHANICAL						ELECTRICAL		
		WEIGHT (LBS.)	INERTIA (LB-IN ²)		RESPONSE TIME (MSEC)	LIFE AT RATED TORQUE (MILLION CYCLES)	MAXIMUM RATED SPEED (RPM)	COIL NO.	RATED VOLTAGE (VDC)	CURRENT (AMPS)
			TOTAL UNIT WEIGHT	ARMATURE ASSEMBLY						
SEC-85C	1800	38	89	95	250	2	2,000	1 2	90 24/28	50 1.60