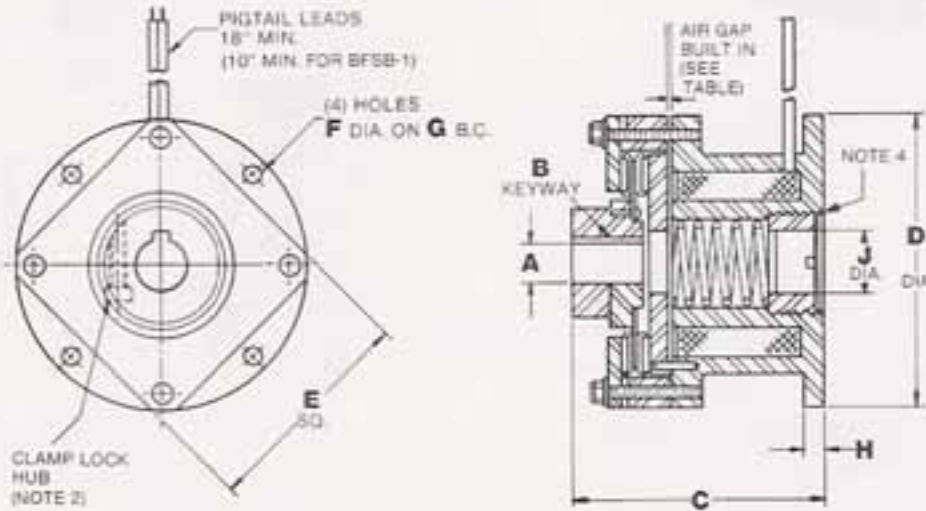


BFSB SERIES



BFSB-1-7-15-35-50-75



MODEL NO.	AIR GAP	A $\begin{smallmatrix} +.001 \\ -.000 \end{smallmatrix}$	B	C	D	E	F	G	H	J
BFSB-1-3	.002	.187	NONE	1.015	1.24	.94	.096	1.031	.16	.290
BFSB-1-4	.005	.250	$\frac{1}{16} \times \frac{1}{16}$							
BFSB-7-4	.005	.250	$\frac{1}{16} \times \frac{1}{16}$	1.47	2.44	1.81	.125	2.125	.13	.405
BFSB-7-5		.312	$\frac{1}{16} \times \frac{1}{16}$							
BFSB-7-6		.375	$\frac{3}{32} \times \frac{1}{16}$							
BFSB-15-4		.250	$\frac{1}{16} \times \frac{1}{16}$							
BFSB-15-5	.010	.312	$\frac{1}{16} \times \frac{1}{16}$	2.25	2.44	1.81	.188	2.125	.13	.468
BFSB-15-6		.375	$\frac{3}{32} \times \frac{1}{16}$							
BFSB-35-8		.500	$\frac{1}{8} \times \frac{1}{16}$							
BFSB-35-10	.007	.625	$\frac{3}{16} \times \frac{1}{16}$	1.87	3.50	2.63	.188	3.125	.32	.875
BFSB-35-12		.750	$\frac{3}{16} \times \frac{1}{16}$							
BFSB-50-8	.007	.500	$\frac{1}{8} \times \frac{1}{16}$	3.09	3.50	2.63	.188	3.125	.25	.783
BFSB-50-10		.625	$\frac{3}{16} \times \frac{1}{16}$							
BFSB-50-12		.750	$\frac{3}{16} \times \frac{1}{16}$							
BFSB-75-8	.013	.500	$\frac{1}{8} \times \frac{1}{16}$	3.05	4.19	3.19	.203	3.750	.25	.812
BFSB-75-10		.625	$\frac{3}{16} \times \frac{1}{16}$							
BFSB-75-12		.750	$\frac{3}{16} \times \frac{1}{16}$							

BFSB-1-7-15-35-50-75 NOTES:

1. With coil energized, clamp-lock armature hub must run freely, then lock armature hub to shaft with cap screw.
2. Armature hub is secured to shaft by clamp-lock hub and key. (BFSB-1 uses two set screws only.)
3. Maximum rated speed – 2,000 RPM
4. Factory pre-set torque adjustment screw not available on models BFSB-1 thru BFSB-15.

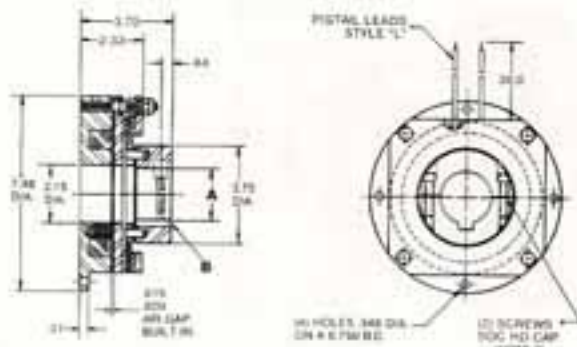
TECHNICAL DATA

MODEL NO.	MECHANICAL					
	BFSB-1	BFSB-7	BFSB-15	BFSB-35	BFSB-50	BFSB-75
RATED STATIC TORQUE (IN.-LBS.)	1	7	15	35	50	75
MAX. WEIGHT	6 oz.	15 oz.	1 1/4 lbs.	2 1/4 lbs.	3 1/2 lbs.	4 1/2 lbs.

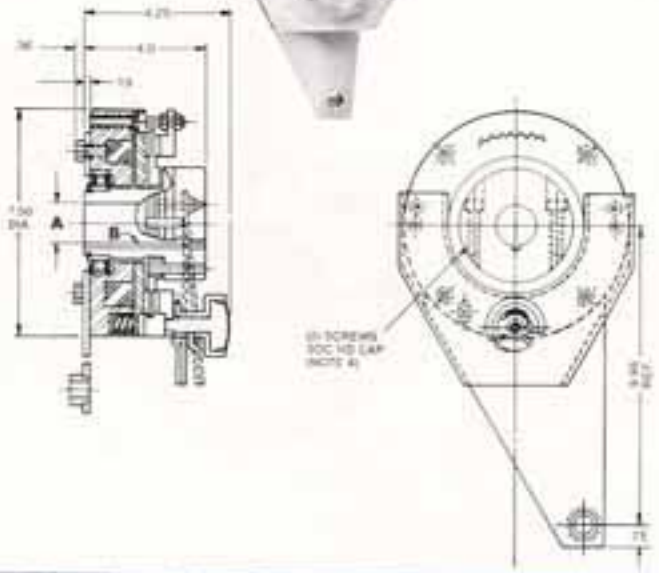
COIL NO.	RATED (DC) VOLTAGE	ELECTRICAL					
		CURRENT (AMPS)					
1	90	.045	.078	.090	.132	.170	.225
2	24/28	.185	.25	.425	.290	.550	.780
3	12	.35	.58	1.000	.680	1.250	1.600

BFSB SERIES

**BFSB-850
A, B, C**



**BFSB-850
D, E**



MODEL NO.	A + .001 - .000	B
BFSB-850-16	1.000	1/4 x 1/8
BFSB-850-18	1.125	1/4 x 1/8
BFSB-850-20	1.250	1/4 x 1/8
BFSB-850-22	1.375	5/16 x 1/32
BFSB-850-24	1.500	1/8 x 1/16
BFSB-850-26	1.625	1/8 x 1/16
BFSB-850-28	1.750	1/8 x 1/16
BFSB-850-30	1.875	1/2 x 1/4
BFSB-850-32	2.000	1/2 x 1/4

BFSB-850 NOTES:

1. Models A, B and C are flange mounted units. Models D and E are shaft mounted units with **manual release** mechanism.
2. With coil energized, clamp-lock armature must run freely, then lock armature to shaft with two cap screws.
3. Armature hub is secured to shaft by key and two set cap screws.
4. Model C must be activated by an Electroid Overvoltage Power Supply (SPS-100/SPS-5000) and available with 28 volt coil only.
5. Pigtail leads shown ("L" style). Optional watertight connector available. consult factory for details.

TECHNICAL DATA

MODEL NO.	MECHANICAL						ELECTRICAL		
	RATED STATIC TORQUE (IN.-LB.)	ARMATURE ASSEMBLY WEIGHT (LBS.)	ARMATURE ASSEMBLY INERTIA (LB.-FT ²)	RESPONSE TIME (MSEC)	LIFE AT RATED TORQUE	MAXIMUM RATED SPEED (RPM)	COIL NO.	RATED VOLTAGE (VDC)	CURRENT (AMPS)
BFSB-850-A	480	2.8	.096	250	1.5	2000	1	90	.60
							2	24/28	1.90
							3	12	4.90
BFSB-850-B	750	2.8	.096	250	1.5	2000	1	90	.60
							2	24/28	1.90
							3	12	4.90
BFSB-850-C	1,100	2.8	.096	250	1.5	2000	1	90	.60
							2	24/28	1.90
							3	12	4.90
BFSB-850-D	660-760	7.0	.105	250	1.0	2000	1	90	.35
							2	24/28	1.47
							3	12	2.60
BFSB-850-E	460-560	7.0	.105	250	1.0	2000	1	90	.35
							2	24/28	1.47
							3	12	2.60