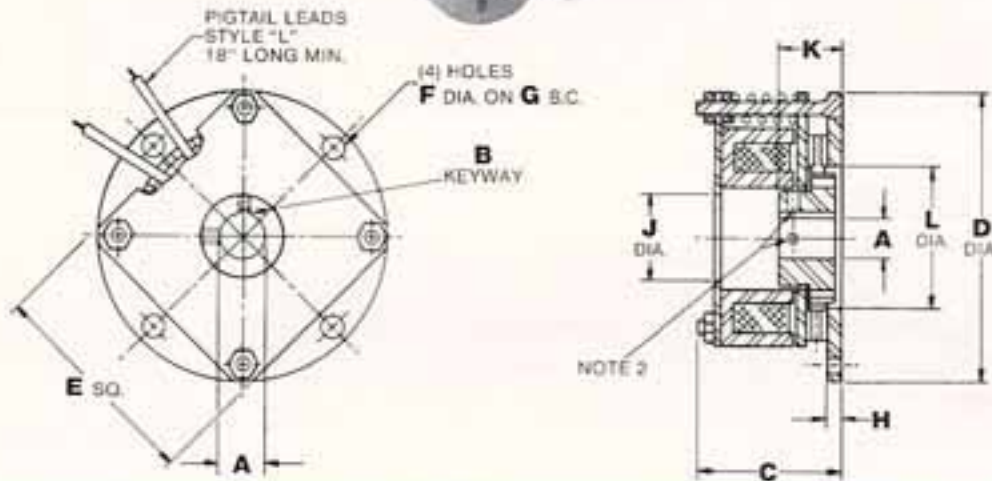


MFSB SERIES



MFSB-7-26-42-56



MODEL NO.	A +.001 -.000	B	C	D	E	F	G	H	J	K	L
MFSB-7-4	.250	1/16 x 1/16	1.32	3.0	1.81	.169	2.50	.16	.75	.66	1.31
MFSB-7-5	.312	1/16 x 1/16									
MFSB-7-6	.375	3/32 x 3/16									
MFSB-26-6	.375	3/32 x 3/16	1.88	3.49	2.63	.193	3.125	.16	1.06	.74	1.72
MFSB-26-8	.500	1/8 x 1/8									
MFSB-26-10	.625	3/16 x 3/16									
MFSB-26-12	.750	3/16 x 3/16	2.20	5.58	4.25	.258	5.00	.24	1.87	1.24	2.75
MFSB-42-8	.500	1/8 x 1/8									
MFSB-42-10	.625	3/16 x 3/16									
MFSB-42-12	.750	3/16 x 3/16	2.81	6.50	5.00	.406	5.875	.44	2.75	1.93	3.25
MFSB-42-16	1.000	1/4 x 1/4									
MFSB-56-10	.625	3/16 x 3/16									
MFSB-56-12	.750	3/16 x 3/16	2.81	6.50	5.00	.406	5.875	.44	2.75	1.93	3.25
MFSB-56-14	.875	3/16 x 3/16									
MFSB-56-16	1.000	1/4 x 1/4									
MFSB-56-18	1.125	1/4 x 1/4									
MFSB-56-20	1.250	1/4 x 1/4									
MFSB-56-22	1.375	3/16 x 3/16									

MFSB-7-26-42-56 NOTES:

1. Factory set torque to above values, however, note (4) sets of adjustable hex-nuts give wider range of available torque.
2. Attachment of spline armature hub secured by key and (2) set screws (supplied) prior to mounting of unit.
MFSB-56 uses square drive in place of spline drive.
3. With coil energized - armature assembly must run free with "air-gap" of .003/.012.
4. Direct mounting to NEMA "C" Frame Motors available upon request - Consult factory for details.

TECHNICAL DATA

MECHANICAL

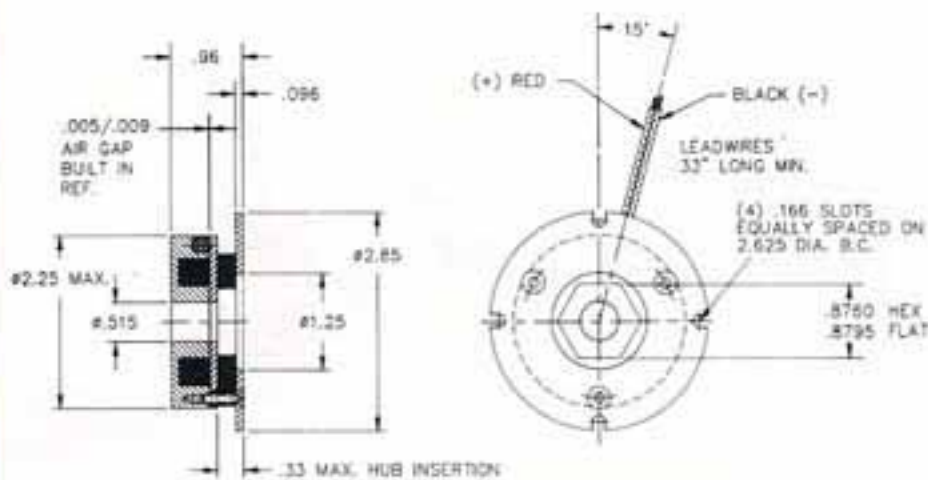
MODEL NO.	MFSB-7	MFSB-26	MFSB-42	MFSB-56
RATED STATIC TORQUE (IN.-LBS.)	7	30	200	420
WEIGHT (LBS.)	.6	1.4	4.0	9.5

ELECTRICAL

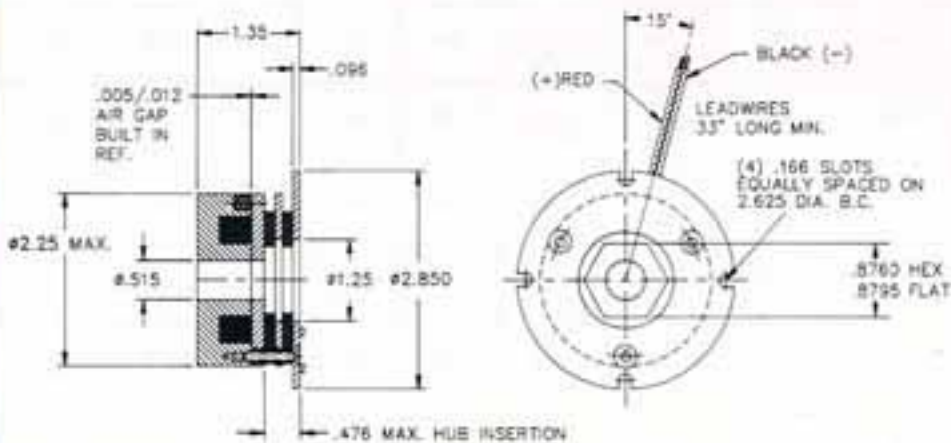
COIL NO.	RATED VOLTAGE (DC)	CURRENT (AMPS)			
1	90	.06	.08	.12	.55
2	24/28	.18	.24	.44	1.78
3	12	.32	.56	.88	1.78
4	6	.64	1.3	1.8	8.33

MFSB SERIES

16 MFSB-15-O-V



20 MFSB-15-O-V



NOTES:

1. Customer is to provide hex drive. (optional hub available upon request.)
2. 90, 24/28 Volt DC are standard. (Contact factory for other than standard requirements.)
3. AC Rectifier built into lead wire available for 115 VAC operation. (Optional.)

MODEL NO.	STATIC TORQUE	VOLTAGE	CURRENT	DISC INERTIA	WEIGHT
16 MFSB-15-O-V	18 LB-INS. MIN.	90 VDC	.07 AMP.	.014 LB-INS ²	.75 LBS.
		24 VDC	.24 AMP.		
20 MFSB-15-O-V	35 LB-INS. MIN.	90 VDC	.07 AMP.	.019 LB-INS ²	1.0 LBS.
		24 VDC	.24 AMP.		