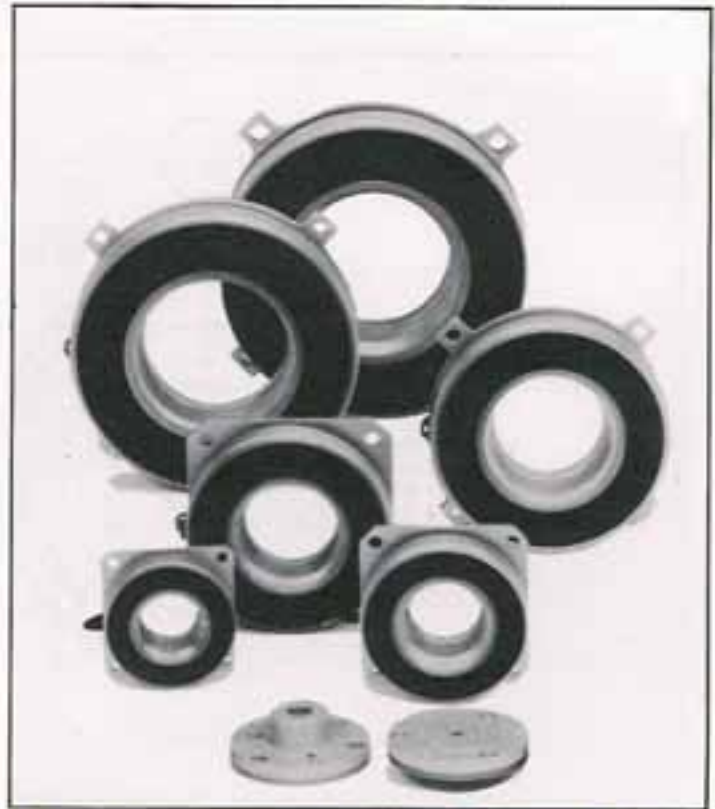


# PERMANENT MAGNET FAILSAFE



RARE EARTH PERMANENT MAGNET



CERAMIC PERMANENT MAGNET



BI-STABLE PULSE OPERATED

## PERMANENT MAGNET DEVICES

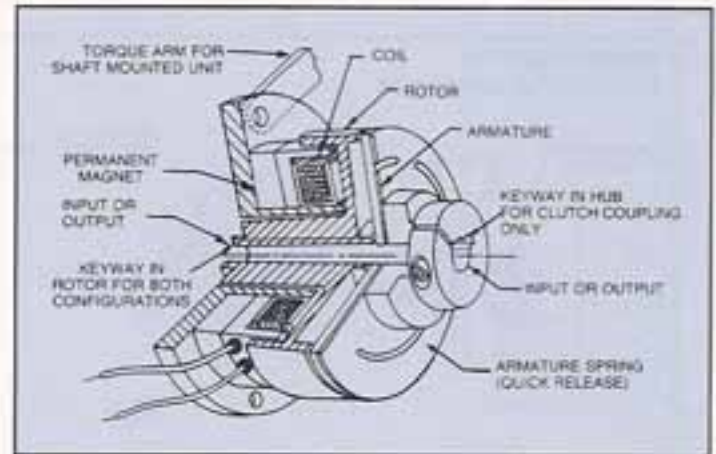
Electroid's family of Permanent Magnet devices are available in two versions – **Rare Earth**, offering both Failsafe Brakes and Clutches, and **Ceramic Magnet** type which are only available in the Failsafe Brake configuration. Both provide the benefit of significantly increased torque per unit size and weight, with the Rare Earth version yielding the highest ratio. **Permanent Magnet units are capable of supplying up to 5 times the torque-to-size and weight ratio of conventional spring-sets.**

The operating principle is simple. The permanent magnets replace the spring pressure of the spring-set types by producing a magnetic flux (clamping force). When the coil is energized, it cancels this magnetic force, thus providing no friction (zero torque).

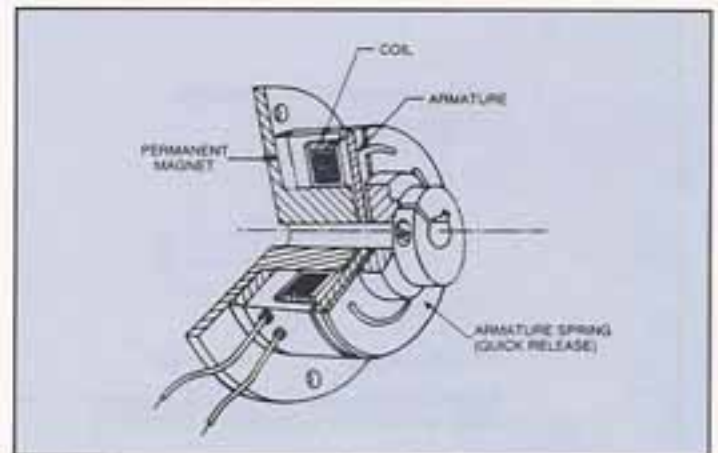
# CLUTCHES & BRAKES

## FAILSAFE (Electrically Off) PERMANENT MAGNET DEVICES

- Torque-to-weight ratio up to 5 times greater than spring actuated designs.
- High performance repeatability at rated torque values over the unit's lifespan.
- No need for readjustments.
- Reliable performance over wide temperature range (350°F to -65°F).
- Fast response time. At least 30% faster than spring actuated designs.
- 24 VDC standard. Consult factory for other voltages.
- Mil spec versions are available.
- Special configurations are available.



**PERMANENT MAGNET  
FAILSAFE CLUTCH**



**PERMANENT MAGNET  
FAILSAFE BRAKE**

### **REPM SERIES**

Rare Earth Permanent Magnet  
Failsafe Brakes and Clutches.

### **CPMFSB SERIES**

Ceramic Permanent Magnet  
Failsafe Brakes.

### **BSB SERIES**

Bi-Stable Brakes.