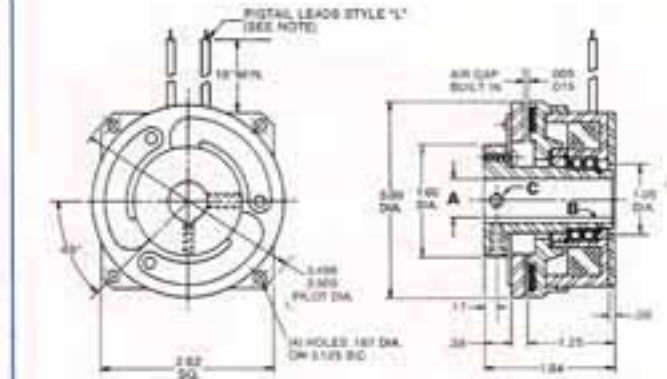
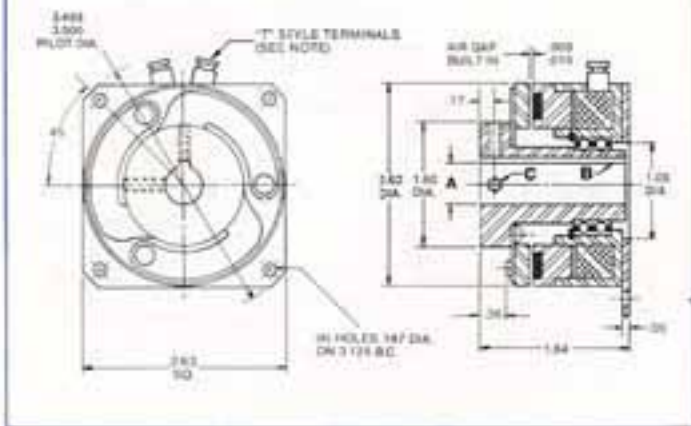


BEC-B SERIES



BEC-26B

BEC-30B



MODEL NO.	A	B	C
BEC-26B-6	.375	3/16 x 3/32	#10-32 SET SCREWS
BEC-26B-8	.500	1/8 x 1/8	#10-32 SET SCREWS
BEC-26B-10	.625	3/32 x 3/16	#10-32 SET SCREWS

MODEL NO.	A	B	C
BEC-30B-6	.375	3/16 x 3/32	#10-32 SET SCREWS
BEC-30B-8	.500	1/8 x 1/8	#10-32 SET SCREWS
BEC-30B-10	.625	3/32 x 3/16	#10-32 SET SCREWS

BEC-26B-30B NOTES:

1. Armature is secured to shaft by key and (2) set screws (see B and C).
2. Units are available with "T" style terminals or style "L" pigtail leads, please specify.

CUSTOMER SHALL MAINTAIN:

Surface of pilot mounting to be square with shaft within .003 T.I.R. measured at backing plate bolt circle.
Pilot diameters for field mounting shall be concentric with shaft within .003 T.I.R.

TECHNICAL DATA

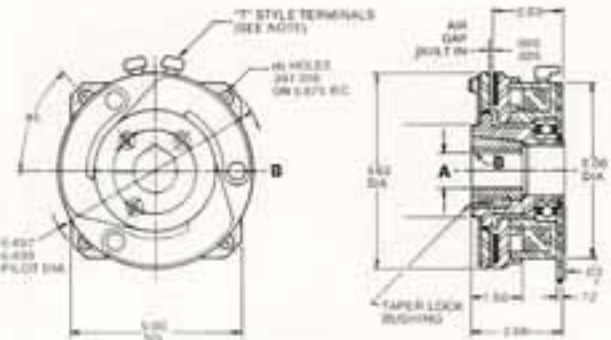
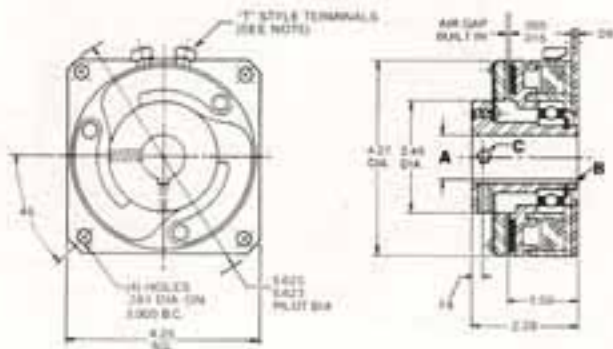
MODEL NO.	MECHANICAL						ELECTRICAL		
	RATED STATIC TORQUE (IN.-LB.)	ARMATURE ASSEMBLY WEIGHT (#) LBS.	ARMATURE ASSEMBLY INERTIA (LB.-IN. ²)	RESPONSE TIME (MSEC)	LIFE AT RATED TORQUE (MILLION CYCLES)	MAXIMUM RATED SPEED (RPM)	COIL NO.	RATED VOLTAGE (VDC)	CURRENT (AMPS)
BEC-26B	75	.40	.33	42	3	7,500	1	90	.08
							2	24/28	.25
							3	12	.60
							4	6	1.38
BEC-30B	90	.50	.40	60	3	7,500	1	90	.12
							2	24/28	.40
							3	12	.90
							4	6	1.33

BEC-B SERIES



BEC-42B

BEC-56B



MODEL NO.	A	B	C
BEC-42B-8	.500 .501	1/4 x 1/4	#1/4-20 SET SCREWS
BEC-42B-10	.625 .626	3/32 x 3/16	1/4-20 SET SCREWS
BEC-42B-12	.750 .751	3/32 x 3/16	1/4-20 SET SCREWS
BEC-42B-14	.875 .876	3/32 x 3/16	1/4-20 SET SCREWS
BEC-42B-16	1.000 1.001	1/4 x 1/4	1/4-20 SET SCREWS

MODEL NO.	A	B
BEC-56B-16	1.000 1.001	1/4 x 1/4
BEC-56B-18	1.125 1.126	
BEC-56B-20	1.250 1.251	

BEC-42B NOTES:

- 90 and 28 volt coils are standard. Other coil voltages available on request.
- "T" style terminals shown, pigtail leads ("L" style) available as standard. Sheathed line cord ("H" style) available as special order.
- Armature is secured to shaft by key and (2) set screws (see B & C).

BEC-56B NOTES:

- 90 and 28 volt coils are standard. Other coil voltages available on request.
- "T" style terminals shown, pigtail leads ("L" style) available as standard. Sheathed line cord ("H" style) available as special order.
- Armature is secured to shaft by taper-lock bushing and key (see B).

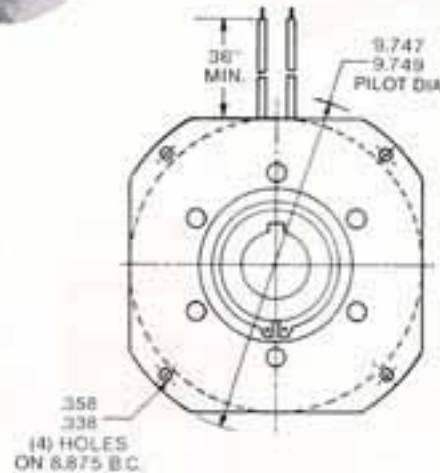
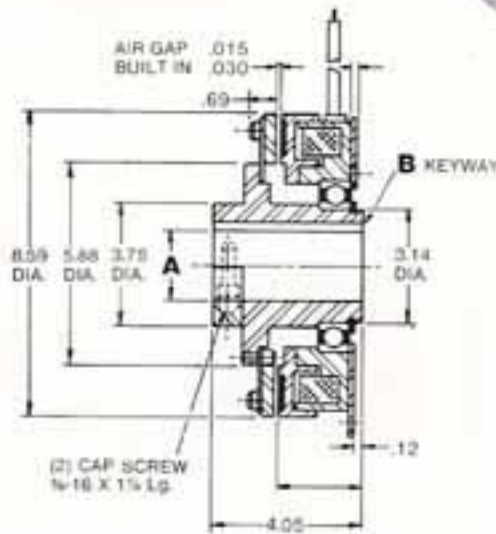
TECHNICAL DATA

MODEL NO.	MECHANICAL						ELECTRICAL		
	RATED STATIC TORQUE (IN.-LB.)	ASSEMBLY WEIGHT (#)	ARMATURE ASSEMBLY INERTIA (LB.-IN. ²)	RESPONSE TIME (MSEC)	LIFE AT RATED TORQUE (MILLION CYCLES)	MAXIMUM RATED SPEED (RPM)	COIL NO.	RATED VOLTAGE (VDC)	CURRENT (AMPS)
BEC-42B	240	5 lbs.	2.8	89	2.5	5,000	1	90	204
							2	24/28	800
BEC-56B	600	9 lbs.	10.0	105	2.0	4,000	1	90	.35
							2	24/28	1.12

BEC-B SERIES



BEC-85B



MODEL NO.	A	B
BEC-85B-16	1.000 1.001	1/4 x 1/8
BEC-85B-18	1.125 1.126	1/4 x 1/8
BEC-85B-20	1.250 1.251	1/4 x 1/8
BEC-85B-22	1.375 1.376	3/16 x 3/32
BEC-85B-24	1.500 1.501	3/8 x 3/16
BEC-85B-26	1.625 1.626	3/8 x 3/16
BEC-85B-28	1.750 1.751	3/8 x 3/16
BEC-85B-30	1.875 1.876	1/2 x 1/4
BEC-85B-32	2.000 2.001	1/2 x 1/4

BEC-85B NOTES:

- 90 and 28 volt coils are standard. Other coil voltages available on request
- Pigtail electrical connections (style "L") shown. Screw terminals (style "T") also available (#4-40 screws). Specify style "L" or "T" when ordering
- Armature is secured to shaft by key and clamp lock hub

CUSTOMER SHALL MAINTAIN:

Surface of pilot mounting to be perpendicular to shaft within .003 T.I.R. measured at 8.875 D.B.C.

TECHNICAL DATA

MODEL NO.	MECHANICAL						ELECTRICAL		
	RATED STATIC TORQUE (IN.-LB.)	ASSEMBLY WEIGHT (#) LBS.	ARMATURE ASSEMBLY INERTIA (LB.-FT. ²)	RESPONSE TIME (MSEC)	LIFE AT RATED TORQUE (MILLION CYCLES)	MAXIMUM RATED SPEED (RPM)	COIL NO.	RATED VOLTAGE (VDC)	CURRENT (AMPS)
BEC-85B	1800	38	58	243	250	2,000	1	90	.50
							2	24/28	1.60