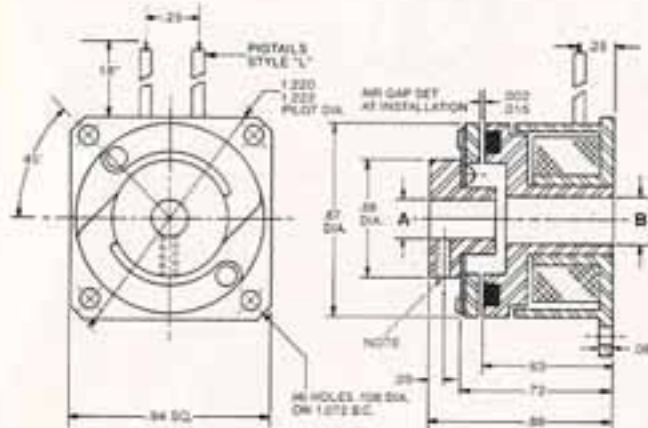


EC-B SERIES



EC-08B



MODEL NO.	A	B
EC-08B-3	.1875 .1880	.218

EC-08B NOTE:

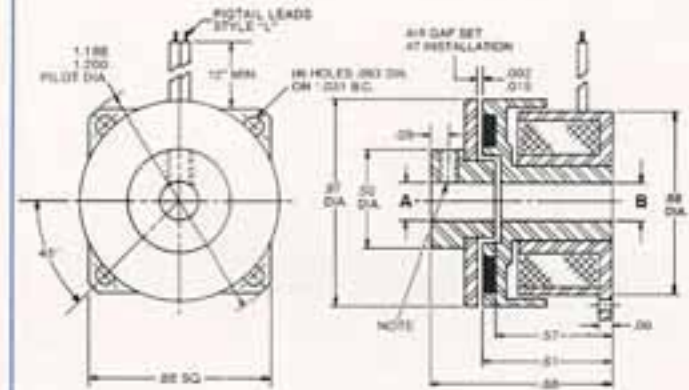
Armature assembly is secured to shaft by #3-48 set screw.

CUSTOMER SHALL MAINTAIN:

Concentricity of field mounting pilot with shaft within .003 T.I.R.
Squariness of stationary field mounting face with shaft within .003 T.I.R.



EC-10B



MODEL NO.	A	B
EC-10B-3	.1875 .1885	.280
EC-10B-4	.250 .251	.280

EC-10B NOTE:

Armature assembly is secured to shaft by #4-40 set screw.

CUSTOMER SHALL MAINTAIN:

Concentricity of field mounting pilot with shaft within .003 T.I.R.
Squariness of stationary field mounting face with shaft within .003 T.I.R.

TECHNICAL DATA

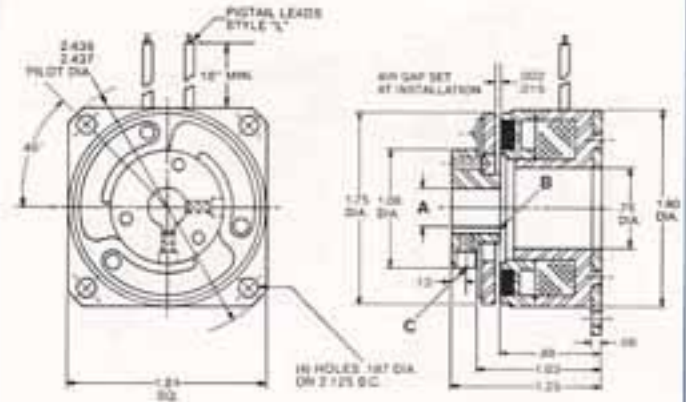
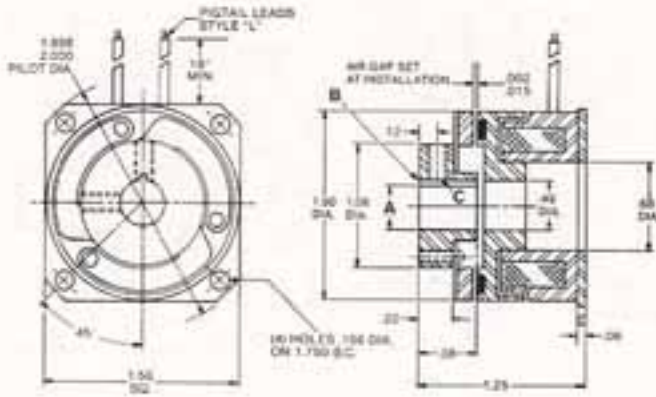
MODEL NO.	RATED STATIC TORQUE (IN.-LB.)	MECHANICAL			RESPONSE TIME (MSEC)	LIFE AT RATED TORQUE	MAXIMUM RATED SPEED (RPM)	ELECTRICAL		
		WEIGHT (OZ.)		ARMATURE ASSEMBLY INERTIA (LB.-IN ²)				COIL NO.	RATED VOLTAGE (VDC)	CURRENT (AMPS)
ARMATURE ASSEMBLY WEIGHT	FIELD ASSEMBLY									
EC-08B	1.5	.28	1.00	.0014	9	5	10,000	1	90	.043
								2	24/28	.175
EC-10B	1.0	.34	1.25	.0011	16	5	10,000	3	12	.320
								4	6	.640

EC-B SERIES



EC-15B

EC-17B



MODEL NO.	A	B	C
EC-15B-4	.250 .251	1/32 x 7/16	#8-32 SET SCREWS
EC-15B-5	.3125 .3135	1/32 x 1/16	#8-32 SET SCREWS
EC-15B-6	.375 .376	7/64 x 3/32	#8-32 SET SCREWS

MODEL NO.	A	B	C
EC-17B-4	.250 .251	1/32 x 1/16	#6-32 SET SCREWS
EC-17B-5	.3125 .3135	1/32 x 1/16	#6-32 SET SCREWS
EC-17B-6	.375 .376	7/64 x 3/32	#6-32 SET SCREWS

EC-15B-17B NOTE:

Armature is secured to shaft by key and (2) set screws (see B and C).

CUSTOMER SHALL MAINTAIN:

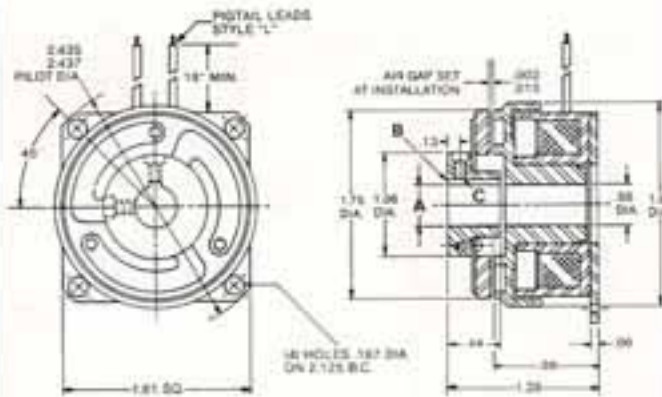
Surface of pilot mounting to be square with shaft within .003 T.I.R. measured at backing plate bolt circle.
Pilot diameters for field mounting shall be concentric with shaft within .003 T.I.R.

TECHNICAL DATA

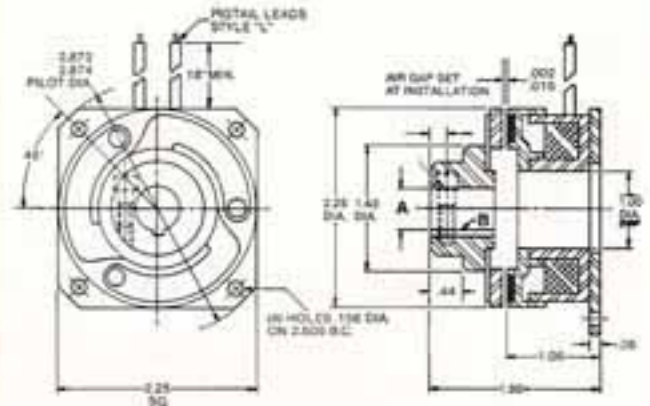
MODEL NO.	MECHANICAL						ELECTRICAL		
	RATED STATIC TORQUE (IN.-LB.)	ARMATURE ASSEMBLY WEIGHT (#) LBS.	ARMATURE ASSEMBLY INERTIA (LB.-IN. ²)	RESPONSE TIME (MSEC)	LIFE AT RATED TORQUE (MILLION CYCLES)	MAXIMUM RATED SPEED (RPM)	COIL NO.	RATED VOLTAGE (VDC)	CURRENT (AMPS)
EC-15B	10	.10	.03	25	5	10,000	1	90	.050
							2	24/28	.21
							3	12	.37
							4	6	.73
EC-17B	15	.11	.04	32	4	10,000	1	90	.08
							2	24/28	.25
							3	12	.60
							4	6	1.20

EC-B SERIES

EC-19B



EC-22B



MODEL NO.	A	B	C
EC-19B-4	.250 .251	1/32 X 1/16	#6-32 SET SCREWS
EC-19B-5	.3125 .3135	1/32 X 1/16	#6-32 SET SCREWS
EC-19B-6	.375 .376	3/64 X 3/32	#6-32 SET SCREWS

EC-19B NOTE:

Armature is secured to shaft by key and (2) set screws (see B and C).

EC-22B NOTE:

Armature is secured to shaft by key and clamp-lock hub.

MODEL NO.	A	B	C
EC-22B-6	.375 .376	3/64 X 3/32	CLAMP LOCK HUB
EC-22B-8	.500 .501	1/16 X 1/8	

CUSTOMER SHALL MAINTAIN:

Surface of pilot mounting to be square with shaft within .003 T.I.R. measured at backing plate bolt circle.

Pilot diameters for field mounting shall be concentric with shaft within .003 T.I.R.

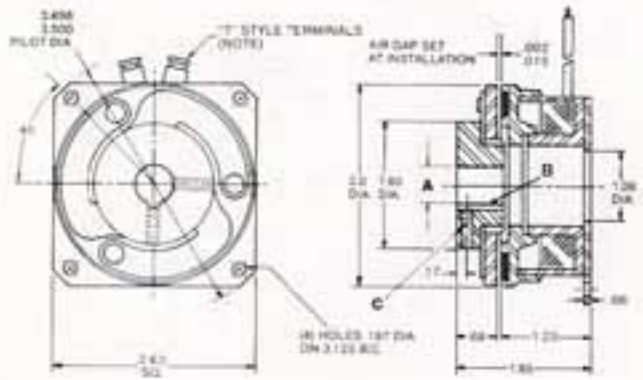
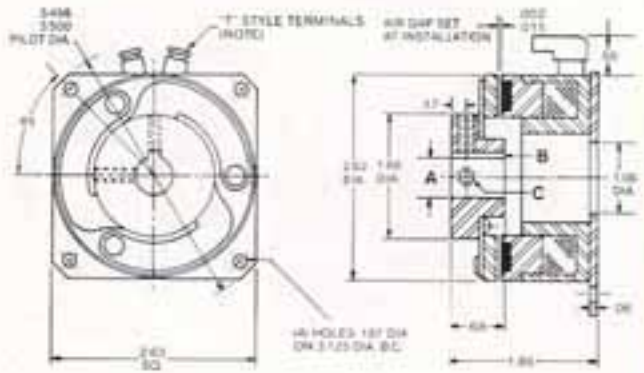
MODEL NO.	MECHANICAL						ELECTRICAL		
	RATED STATIC TORQUE (IN.-LB.)	ARMATURE ASSEMBLY WEIGHT (LBS.)	ARMATURE ASSEMBLY INERTIA	RESPONSE TIME (MSEC)	LIFE AT RATED TORQUE (MILLION CYCLES)	MAXIMUM RATED SPEED (RPM)	COIL NO.	RATED VOLTAGE (VDC)	CURRENT (AMPS)
EC-19B	20	.11	.07	26	3	10,000	1	90	.06
							2	24/28	.28
							3	12	.47
							4	6	.95
EC-22B	35	.26	.21	34	3	7,500	1	90	.08
							2	24/28	.23
							3	12	.60
							4	6	1.20

EC-B SERIES



EC-26B

EC-30B



MODEL NO.	A	B	C
EC-26B-6	.375	3/16 x 3/32	#10-32 SET SCREWS
EC-26B-8	.500	1/16 x 1/8	#10-32 SET SCREWS
EC-26B-10	.625	3/32 x 3/16	#10-32 SET SCREWS
EC-26B-12	.750	1/16 x 3/16	#10-32 SET SCREWS

MODEL NO.	A	B	C
EC-30B-6	.375	3/16 x 3/32	#10-32 SET SCREWS
EC-30B-8	.500	1/16 x 1/8	#10-32 SET SCREWS
EC-30B-10	.625	3/32 x 3/16	#10-32 SET SCREWS
EC-30B-12	.750	1/16 x 3/16	#10-32 SET SCREWS

EC-26B-30B NOTES:

1. Armature is secured to shaft by key and (2) set screws (see B and C).
2. "T" style terminals (shown) or "L" style pigtail leads available as standard.

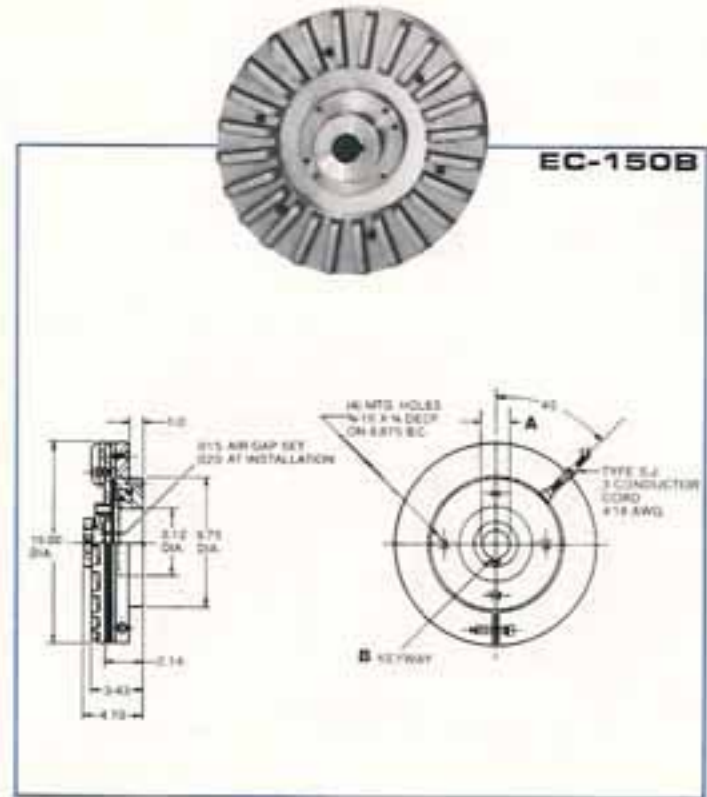
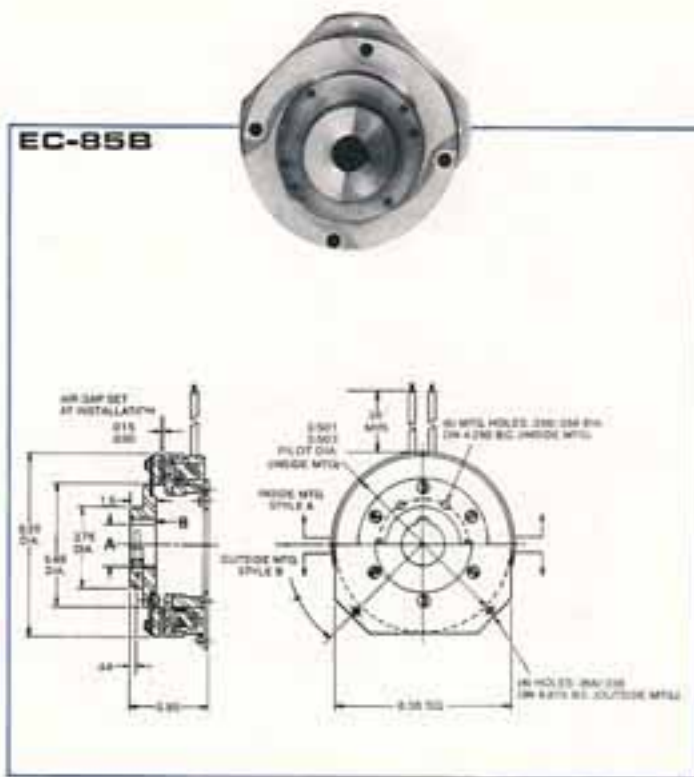
CUSTOMER SHALL MAINTAIN:

Surface of pilot mounting to be square with shaft within .003 T.I.R. measured at backing plate bolt circle.
Pilot diameters for field mounting shall be concentric with shaft within .003 T.I.R.

TECHNICAL DATA

MODEL NO.	MECHANICAL						ELECTRICAL		
	RATED STATIC TORQUE (IN.-LB.)	ARMATURE ASSEMBLY WEIGHT (#) LBS.	ARMATURE ASSEMBLY INERTIA (LB.-IN. ²)	RESPONSE TIME (MSEC)	LIFE AT RATED TORQUE (MILLION CYCLES)	MAXIMUM RATED SPEED (RPM)	COIL NO.	RATED VOLTAGE (VDC)	CURRENT (AMPS)
EC-26B	75	.40	.33	40	3	7,500	1	90	.08
							2	24/28	.21
							3	12	.60
							4	6	1.31
EC-30B	90	.50	.40	58	3	7,500	1	90	.12
							2	24/28	.40
							3	12	.90
							4	6	1.90

EC-B SERIES



MODEL NO.	A +001 -000	B
EC-85B-16	1.000	1/4 x 1/8
EC-85B-18	1.125	
EC-85B-20	1.250	5/16 x 3/32
EC-85B-22	1.375	
EC-85B-24	1.500	3/8 x 3/16
EC-85B-26	1.625	1/2 x 3/16
EC-85B-28	1.750	5/8 x 3/16
EC-85B-30	1.875	1/2 x 1/4
EC-85B-32	2.000	5/8 x 1/4

*MODEL NO.	A +001 -000	B
EC-150B-16	1.000	1/4 x 1/8
EC-150B-18	1.125	
EC-150B-20	1.250	5/16 x 3/32
EC-150B-22	1.375	
EC-150B-24	1.500	3/8 x 3/16
EC-150B-26	1.625	1/2 x 3/16
EC-150B-28	1.750	5/8 x 3/16
EC-150B-30	1.875	1/2 x 1/4
EC-150B-32	2.000	5/8 x 1/4

EC-85B NOTES:

- 90 and 28 volt coils are standard. Other coil voltages available on request.
- Pigtail electrical connections (style "L") shown. Screw terminals style "T" also available (#4-40 screws). Specify "L" or "T" when ordering.

EC-150B NOTES:

- 90 and 28 volt coils are standard. Other coil voltages available on request.
- Electrical connections — Type S.J. 3 conductor cord (#18 AWG).

CUSTOMER SHALL MAINTAIN:

Surface of pilot mounting to be perpendicular to shaft within 003 T.I.R. as measured at 8.875 D.B.C.

*FOR MORE DETAILED MOUNTING DIMENSIONS AND TECHNICAL DATA ON EC-150B, CONSULT FACTORY

TECHNICAL DATA

MODEL NO.	MECHANICAL						ELECTRICAL		
	RATED STATIC TORQUE (IN.-LB.)	ARMATURE ASSEMBLY WEIGHT (#) LBS.	ARMATURE ASSEMBLY INERTIA (LB.-FT ²)	RESPONSE TIME (MSEC)	LIFE AT RATED TORQUE (MILLION CYCLES)	MAXIMUM RATED SPEED (RPM)	COIL NO.	RATED VOLTAGE (VDC)	CURRENT (AMPS)
EC-85B	1800	12	90.0	240	1.5	2000	1	90	.50
EC-150B	10,500	35	5.0	350	1.0	1000	2	24	1.61
							1	90	4.09