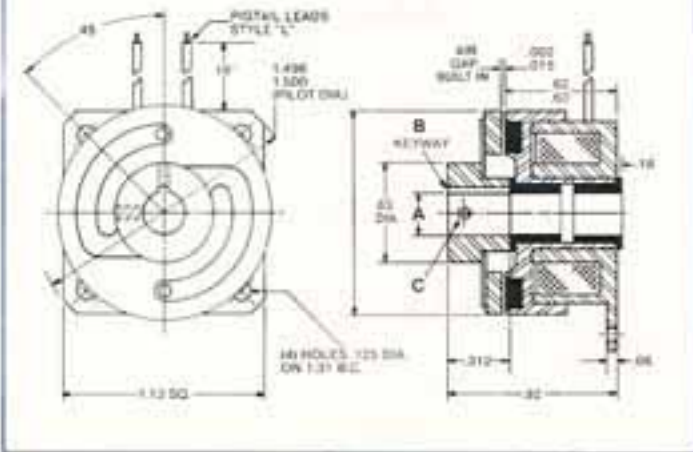


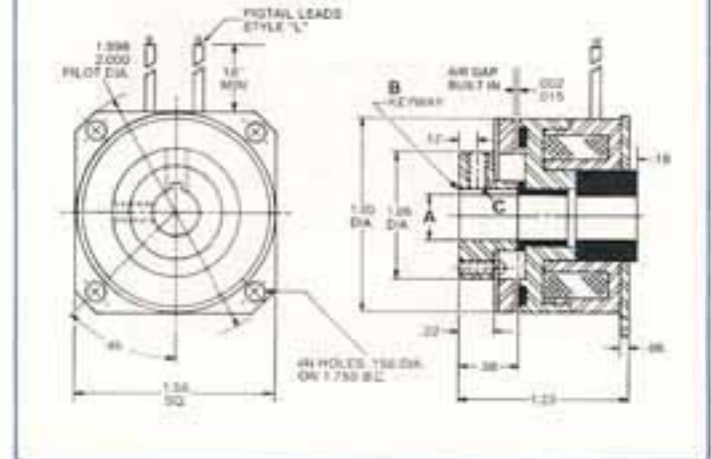
# SBEC-B SERIES



**SBEC-12B**



**SBEC-15B**



MODEL NO.	A	B	C
SBEC-12B-4	.250 .251	1/32 x 1/16	#4-40 SET SCREWS
SBEC-12B-5	.3125 .3135	NONE	#4-40 SET SCREWS

MODEL NO.	A	B	C
SBEC-15B-4	.250 .251	1/32 x 1/16	#8-32 SET SCREWS
SBEC-15B-5	.3125 .3135	1/32 x 1/16	#8-32 SET SCREWS
SBEC-15B-6	.375 .376	3/64 x 1/32	#8-32 SET SCREWS

**SBEC-12B-15B NOTES:**

1. Armature assembly is secured to shaft by key and set screws (see B and C).
2. Pigtail leads style "L" standard.

**CUSTOMER SHALL MAINTAIN:**

Concentricity of field mounting face with shaft within .003 T.I.R.  
Squariness of field mounting face with shaft within .003 T.I.R.

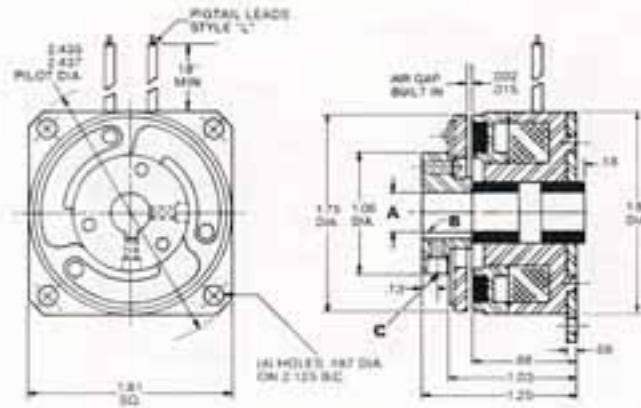
**TECHNICAL DATA**

MODEL NO.	MECHANICAL						ELECTRICAL		
	RATED STATIC TORQUE (IN.-LB.)	ARMATURE ASSEMBLY WEIGHT #LBS.	ARMATURE ASSEMBLY INERTIA (LB.-IN. <sup>2</sup> )	RESPONSE TIME (MSEC)	LIFE AT RATED TORQUE (MILLION CYCLES)	MAXIMUM RATED SPEED (RPM)	COIL NO.	RATED VOLTAGE (VDC)	CURRENT (AMPS)
SBEC-12B	5	.08	.007	19	5	10,000	1	90	0.43
							2	24/28	18
							3	12	34
							4	6	68
SBEC-15B	10	.10	.03	20	5	10,000	1	90	0.05
							2	24/28	21
							3	12	37
							4	6	73

# SBEC-B SERIES



**SBEC-17B**



MODEL NO.	A	B	C
SBEC-17B-4	.250		#6-32 SET SCREWS
SBEC-17B-5	.251	1/32 x 1/16	#6-32 SET SCREWS
SBEC-17B-6	.3125	1/32 x 1/16	#6-32 SET SCREWS
	.3135		
	.375	3/64 x 3/32	#6-32 SET SCREWS
	.376		

**SBEC-19B-22B NOTES:**

1. Armature is secured to shaft by key and (2) set screws (see B and C).
2. Pigtail leads style "L" standard.

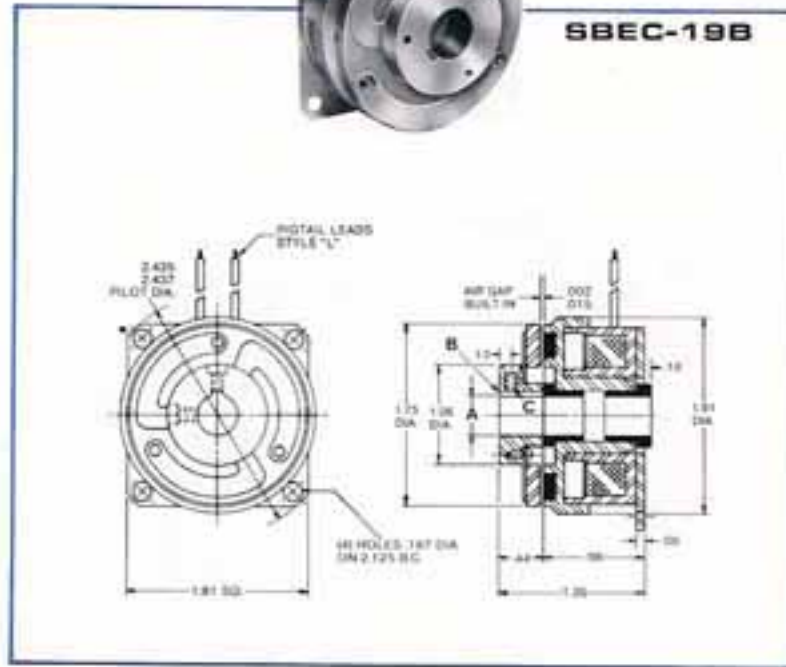
**TECHNICAL DATA**

MODEL NO.	MECHANICAL						ELECTRICAL		
	RATED STATIC TORQUE (IN.-LB.)	ARMATURE ASSEMBLY WEIGHT (#) LBS.	ARMATURE ASSEMBLY INERTIA (LB.-IN. <sup>2</sup> )	RESPONSE TIME (MSEC)	LIFE AT RATED TORQUE (MILLION CYCLES)	MAXIMUM RATED SPEED (RPM)	COIL NO.	RATED VOLTAGE (VDC)	CURRENT (AMPS)
SBEC-17B	15	.11	.07	32	4	10,000	1	90	.08
							2	24/28	.25
							3	12	.60
							4	6	1.20

# SBEC-B SERIES



**SBEC-19B**



MODEL NO.	A	B	C
SBEC-19B-4	250 251	1/32 X 1/16	#6-32 SET SCREWS
SBEC-19B-5	3125 3135	1/32 X 1/16	#6-32 SET SCREWS
SBEC-19B-6	375 376	3/64 X 3/32	#6-32 SET SCREWS

**CUSTOMER SHALL MAINTAIN:**

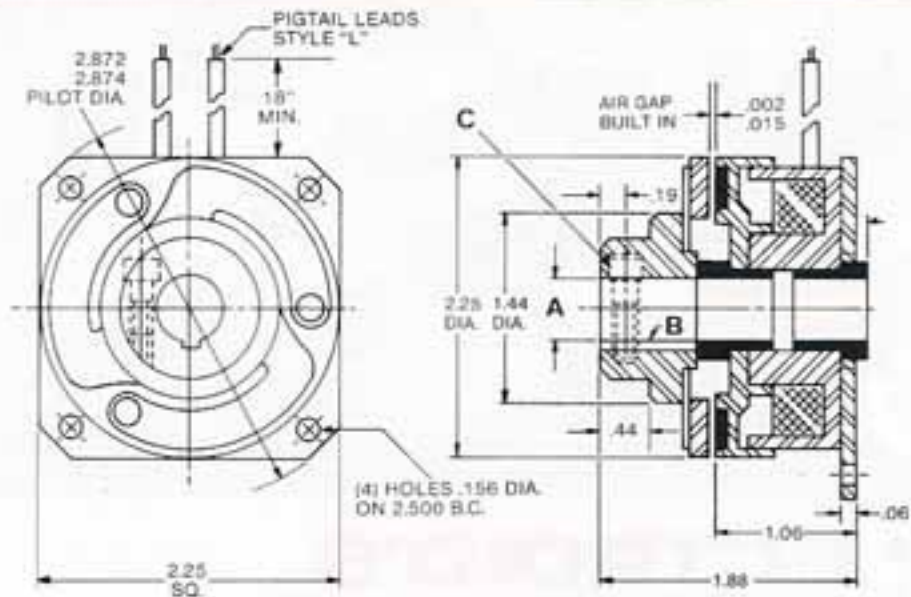
Surface of pilot mounting to be square with shaft within .003 T.I.R. measured at backing plate bolt circle.  
Pilot diameters for field mounting shall be concentric with shaft within .003 T.I.R.

**TECHNICAL DATA**

MODEL NO.	MECHANICAL						ELECTRICAL		
	RATED STATIC TORQUE (IN.-LB.)	ARMATURE ASSEMBLY WEIGHT (#) LBS.	ARMATURE ASSEMBLY INERTIA (LB.-IN. <sup>2</sup> )	RESPONSE TIME (MSEC)	LIFE AT RATED TORQUE (MILLION CYCLES)	MAXIMUM RATED SPEED (RPM)	COIL NO.	RATED VOLTAGE (VDC)	CURRENT (AMPS)
SBEC-19B	20	.11	.07	26	3	10,000	1	90	.06
							2	24/28	.28
							3	12	.47
							4	6	.95

# SBEC-B SERIES

## SBEC-22B



MODEL NO.	A	B	C
SBEC-22B-6	.375 .376	3/64	CLAMP LOCK HUB
SBEC-22B-8	.500 .501	1/8 x 1/8	

### SBEC-22B NOTES:

1. Armature is secured to shaft by key and clamp-lock hub.
2. Pigtail leads style "L" standard

### CUSTOMER SHALL MAINTAIN:

Surface of mounting to be square with shaft within .003 T.I.R. measured at backing plate bolt circle.  
Pilot diameters for field mounting shall be concentric with shaft within .003 T.I.R.

## TECHNICAL DATA

MODEL NO.	MECHANICAL						ELECTRICAL		
	RATED STATIC TORQUE (IN.-LB.)	ARMATURE ASSEMBLY WEIGHT (#) LBS.	ARMATURE ASSEMBLY INERTIA (LB.-IN. <sup>2</sup> )	RESPONSE TIME (MSEC)	LIFE AT RATED TORQUE (MILLION CYCLES)	MAXIMUM RATED SPEED (RPM)	COIL NO.	RATED VOLTAGE (VDC)	CURRENT (AMPS)
SBEC-22B	35	.26	.21	.34	3	7,500	1	50	.08
							2	24/28	.23
							3	12	.60
							4	6	1.20