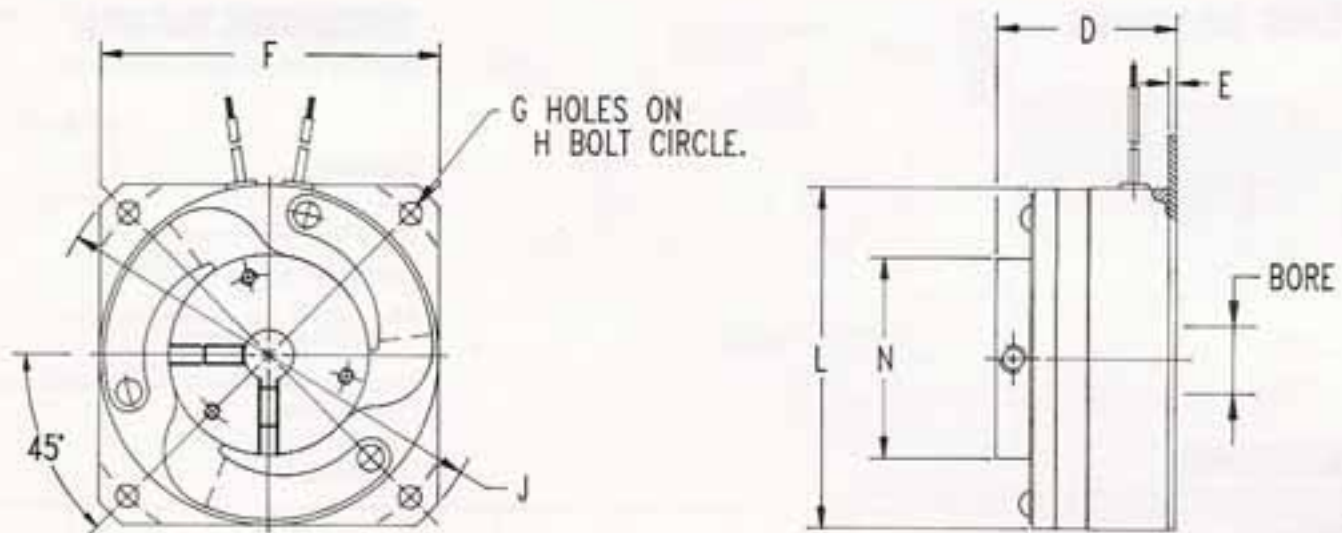


TS SERIES BRAKES

TS-BEC-12B, 17B, 26B, 42B, 56B.



DIMENSIONAL DATA

| MODEL # | L | N | D | E | F | G | H | J | BORE DIA. +.001/- .000 |
|---------------|--------|--------|------|------|-------|--------|---------|------------------|---------------------------|
| TS-BEC-12B-2 | ø 1.25 | ø .621 | .87 | .062 | 1.125 | ø .125 | ø 1.312 | ø 1.499 1.497 | ø .125 |
| TS-BEC-17B-4 | ø 1.80 | ø .625 | 1.14 | .062 | 1.812 | ø .187 | ø 2.125 | ø 2.437 2.435 | ø .250 |
| TS-BEC-26B-6 | ø 2.62 | ø 1.62 | 1.84 | .062 | 2.625 | ø .187 | ø 3.125 | ø 3.500 3.498 | ø .375 |
| TS-BEC-42B-8 | ø 4.25 | ø 2.48 | 2.28 | .093 | 4.25 | ø .281 | ø 5.000 | ø 5.625 5.623 | ø .500 |
| TS-BEC-56B-16 | ø 5.63 | N/A | 2.68 | .125 | 5.00 | ø .391 | ø 5.875 | ø 6.499 6.497 | ø 1.000 |

TECHNICAL DATA

| MODEL # | RATED TORQUE (IN - LBS.) | DRAG TORQUE (IN - OZS.) | MAX. RPM | SLIP WATTAGE* (MAX.) | RESPONSE TIME (M-SEC.) | CURRENT AT 24 VDC (AMPS.) | WEIGHT (LBS.) |
|--------------|-----------------------------|----------------------------|-------------|-------------------------|---------------------------|------------------------------|------------------|
| TS-BEC-12B | 0.5 | 0.07 | 3600 | 30 | 25 | 0.18 | 0.15 |
| TS-BEC-17B | 4.0 | 0.7 | 3600 | 60 | 30 | 0.25 | 0.44 |
| TS-BEC-26B | 8.0 | 2.1 | 2800 | 105 | 35 | 0.33 | 1.50 |
| TS-BEC-42B | 40.0 | 6.0 | 2800 | 205 | 75 | 0.46 | 5.00 |
| **TS-BEC-56B | 150.0 | 30.0 | 2800 | 395 | 110 | 1.01 | 10.25 |

* Actual heat dissipation capacity depends on application.

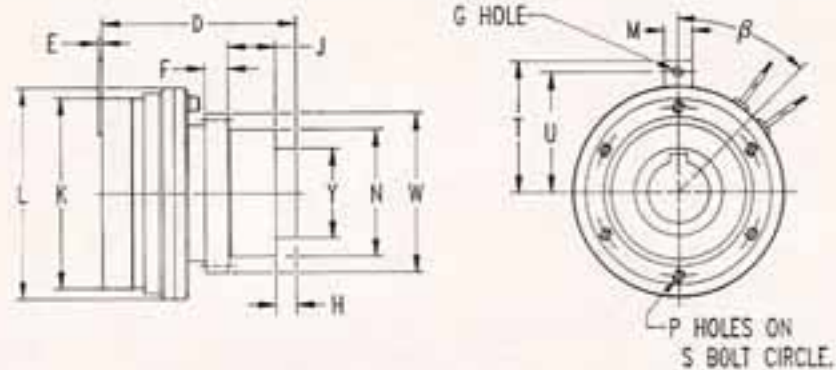
** Model TS-BEC-56B has taperlock bushing style armature hub.

NOTES:

1. Other standard models and bore sizes are available on request.
2. Actual drawing configurations may vary depending on model, and are provided for reference only.

TS SERIES CLUTCHES

TS-SEC-26C, 42C, 56C.

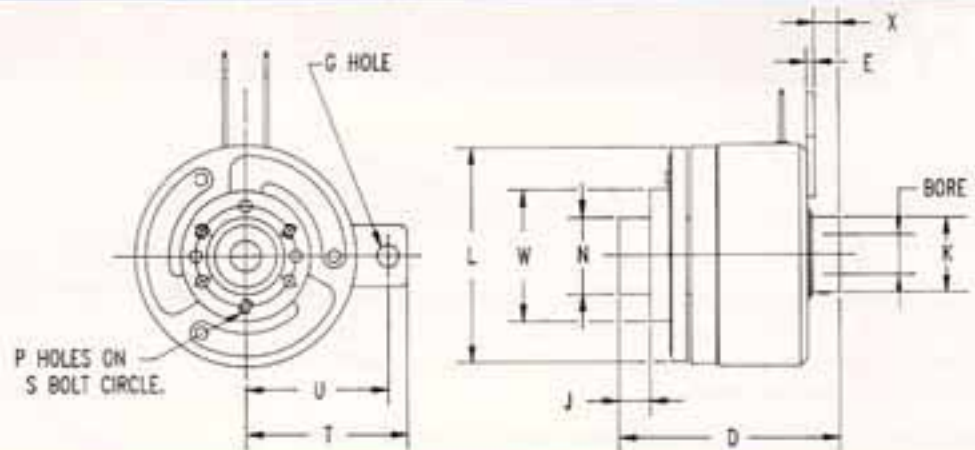


DIMENSIONAL DATA

| MODEL # | D | E | F | G | H | J | K | L | M | N | P | S | T | U | W | Y | BORE DIA. +.001/-000 | β |
|---------------|------|-----|-----|-------------|-----|------|-------------|-------------|-----|------------------------------|---------------------|------------------------------|------|------|-------------|-------------|-------------------------|---------|
| TS-SEC-26C-8 | 2.80 | .06 | .25 | ϕ .196 | .50 | .44 | N/A | ϕ 2.64 | .50 | 1.499 ϕ 1.497 | (3) #6 - 32 UNC | 1.786 ϕ 1.794 | 1.75 | 1.56 | ϕ 2.06 | ϕ 1.38 | ϕ .500 | 90° |
| TS-SEC-42C-12 | 3.31 | .09 | .27 | ϕ .18 | .38 | .67 | N/A | ϕ 4.25 | .62 | ϕ 3.000 ϕ 2.998 | (3) 1/4 - 20 UNC | ϕ 3.499 ϕ 3.501 | 2.50 | 2.31 | ϕ 4.00 | ϕ 1.81 | ϕ .750 | 90° |
| TS-SEC-42C-16 | 5.12 | .09 | .63 | .25 SLOT | .56 | 1.25 | ϕ 5.06 | ϕ 5.63 | .75 | ϕ 3.375 ϕ 3.373 | (6) 1/4 - 20 UNC | ϕ 3.876 ϕ 3.874 | 3.50 | N/A | ϕ 4.23 | ϕ 2.38 | ϕ 1.000 | 45° |

TS-SBEC- 12C, 17C.

TS-BEC- 26C, 42C.



DIMENSIONAL DATA

| MODEL # | D | E | G | J | K | L | N | P | S | T | U | W | X | BORE DIA. +.001/-000 |
|---------------|------|-----|-----------------|-----|-------------|-------------|------------------------------|---------|---------|------|------|-------------|-----|-------------------------|
| TS-SBEC-12C-4 | 1.40 | .06 | 1/8 SLOT | .31 | ϕ .505 | ϕ 1.25 | ϕ .507 ϕ .504 | KNURLED | KNURLED | .81 | N/A | ϕ .68 | .21 | ϕ .250 |
| TS-SBEC-17C-6 | 1.74 | .06 | 3/16 SLOT | .25 | ϕ .622 | ϕ 1.75 | ϕ .624 ϕ .622 | #4-40 | .812 | 1.31 | N/A | ϕ 1.06 | .19 | ϕ .375 |
| TS-BEC-26C-8 | 2.44 | .06 | ϕ .19 HOLE | .44 | ϕ 1.38 | ϕ 2.63 | ϕ .998 ϕ 1.000 | #8-32 | 1.375 | 1.75 | 1.56 | ϕ 1.62 | .28 | ϕ .500 |
| TS-BEC-42C-12 | 2.88 | .09 | ϕ .19 HOLE | .38 | ϕ 1.35 | ϕ 4.25 | ϕ 1.437 ϕ 1.435 | 1/4-20 | 2.000 | 2.50 | 2.31 | ϕ 2.50 | .32 | ϕ .750 |

TECHNICAL DATA

| MODEL # | RATED TORQUE (IN. - LBS.) | DRAG TORQUE (IN. - OZS.) | MAX. RPM | SLIP WATTAGE* (MAX.) | RESPONSE TIME (M-SEC.) | CURRENT AT 24 VDC (AMPS) | WEIGHT (LBS.) |
|-------------|------------------------------|-----------------------------|-------------|-------------------------|---------------------------|-----------------------------|------------------|
| TS-SBEC-12C | 0.5 | 0.07 | 3600 | 25 | 25 | 0.29 | .25 |
| TS-SBEC-17C | 3.0 | 0.7 | 3600 | 55 | 30 | 0.34 | .56 |
| TS-BEC-26C | 7.0 | 2.1 | 2800 | 95 | 35 | 0.33 | 1.60 |
| TS-SEC-26C | 7.0 | 2.1 | 2800 | 100 | 35 | 0.33 | 1.70 |
| TS-BEC-42C | 35.0 | 6.0 | 2800 | 190 | 75 | 0.46 | 5.30 |
| TS-SEC-42C | 35.0 | 6.0 | 2800 | 200 | 75 | 0.46 | 5.30 |
| TS-SEC-56C | 150.0 | 30.0 | 2800 | 375 | 110 | 1.01 | 12.50 |

*Actual heat dissipation capacity depends on application.